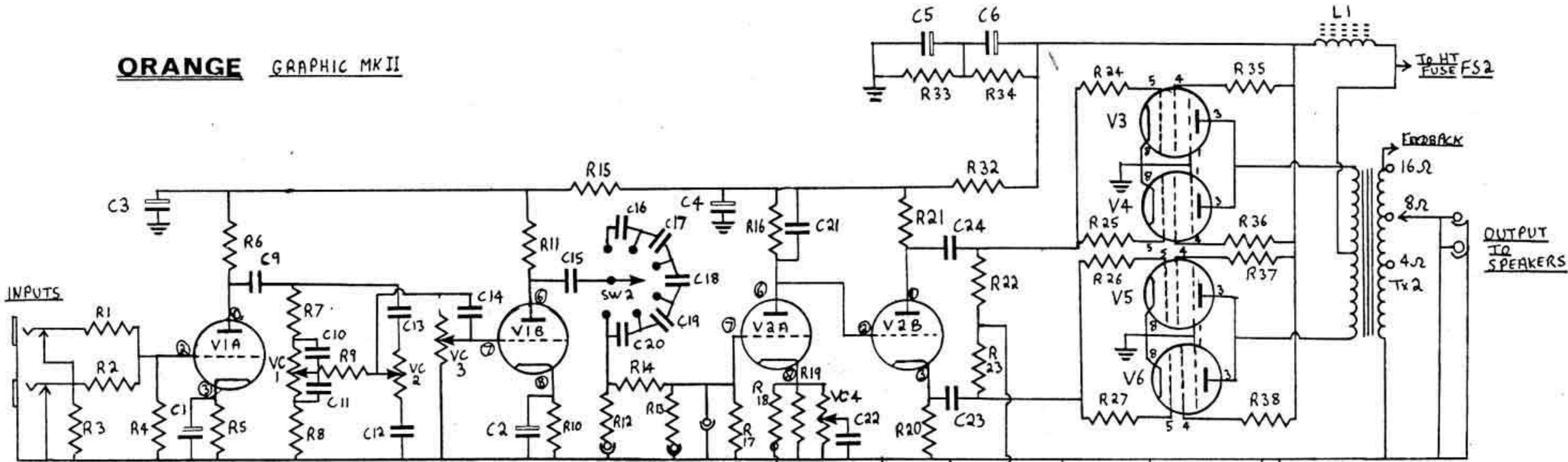


ORANGE GRAPHIC MKII



PARTS

R 1	68K 1/2 W HI STABILITY
2	68K " "
3	1M " "
4	220K " "
5	2K2 " "
6	220K " "
7	100K " "
8	22K " "
9	100K " "
10	2K2 " "
11	220K " "
12	100K " "
13	100K " "
14	100K " "
15	33K 1W " "
16	390K 1/2 W " "
17	220K " "
18	15K " "
19	1K5 " "

R 20	100K 1/2 W HI STABILITY
21	100K " "
22	220K " "
23	220K " "
24	2K2 " "
25	2K2 " "
26	2K2 " "
27	2K2 " "
28	33K " "
29	100K " "
30	15K " "
31	22K " "
32	33K 1W " "
33	100K 1W " "
34	100K 1W " "
35	1K 5W WIRE WOUND
36	1K " "
37	1K " "
38	1K " "

C 1	47mfd 18V ELECTROLYTIC
2	47 " 18V " "
3	16 " 450V " "
4	16 " 450V " "
5	33 " 450V " "
6	33 " 450V " "
7	10 " 160V " "
8	10 " 160V " "
9	0.068 mfd 400V
10	2200 pf 160V
11	0.01 mfd 400V
12	2200 pf 160V
13	330 pf 160V
14	330 pf 160V
15	0.068 mfd 400V
16	330 pf 160V
17	1000 pf 160V

C 18	2200 pf 160V
19	4700 pf 160V
20	4700 pf 160V
21	1000 pf 500V
22	0.47 mfd 100V
23	0.068 mfd 400V
24	0.068 mfd 400V
25	100 mfd 450V
26	100 mfd 450V
D 1-9	1N4005
Tx 1	MAINS TRANSFORMER
Tx 2	OUTPUT TRANSFORMER
L 1	HT CHOKE
FS 1	3A ANTI SURGE MAINS FUSE (5A AT 115V)
FS 2	1A HT FUSE

V1A-B	ECC 83
V2A-B	ECC 83
V3-6	EL 34

SW 1	DOUBLE POLE MAINS SWITCH
SW 2	2 POLE 6WAY FAL SWITCH

VC 1	1M Ω Log Pot BASS
VC 2	1M Ω " " TREBLE
VC 3	1M Ω " " VOLUME
VC 4	1K Ω Lin " BOOST

VR 1	100K PRESET (SET BIAS)
VR 2	100R " (SET MIN HUM)

NB. 80 WATT VERSION IDENTICAL BUT Tx2 DIFFERENT AN V3e6 R 24,27,35,38 OMITTED