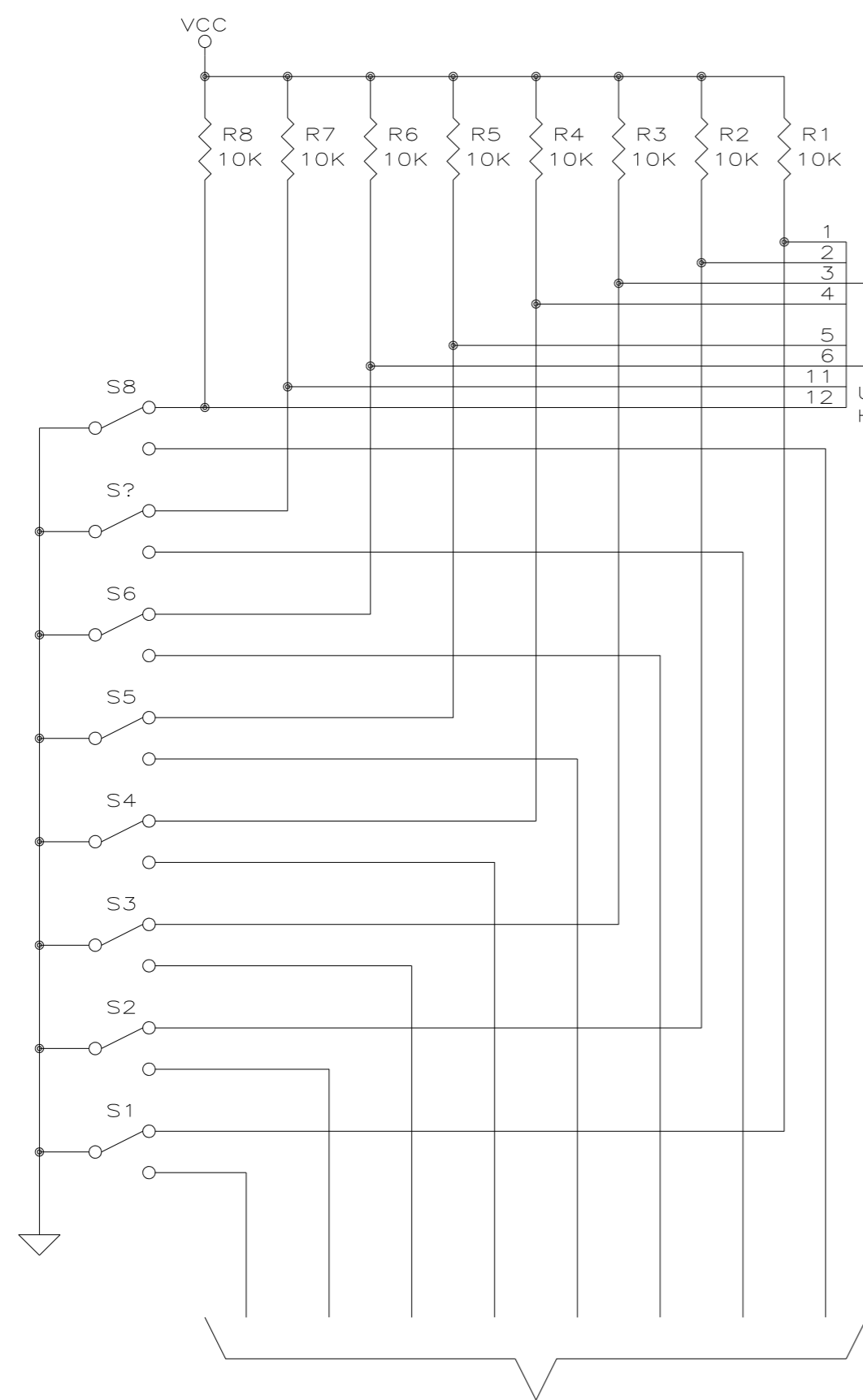
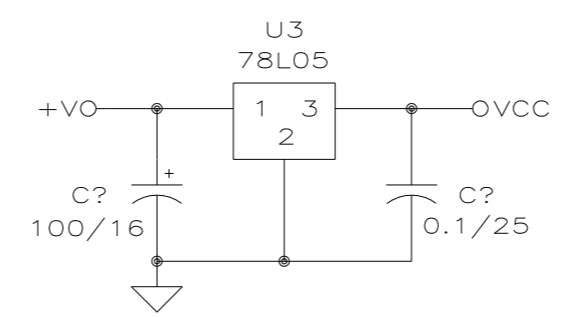
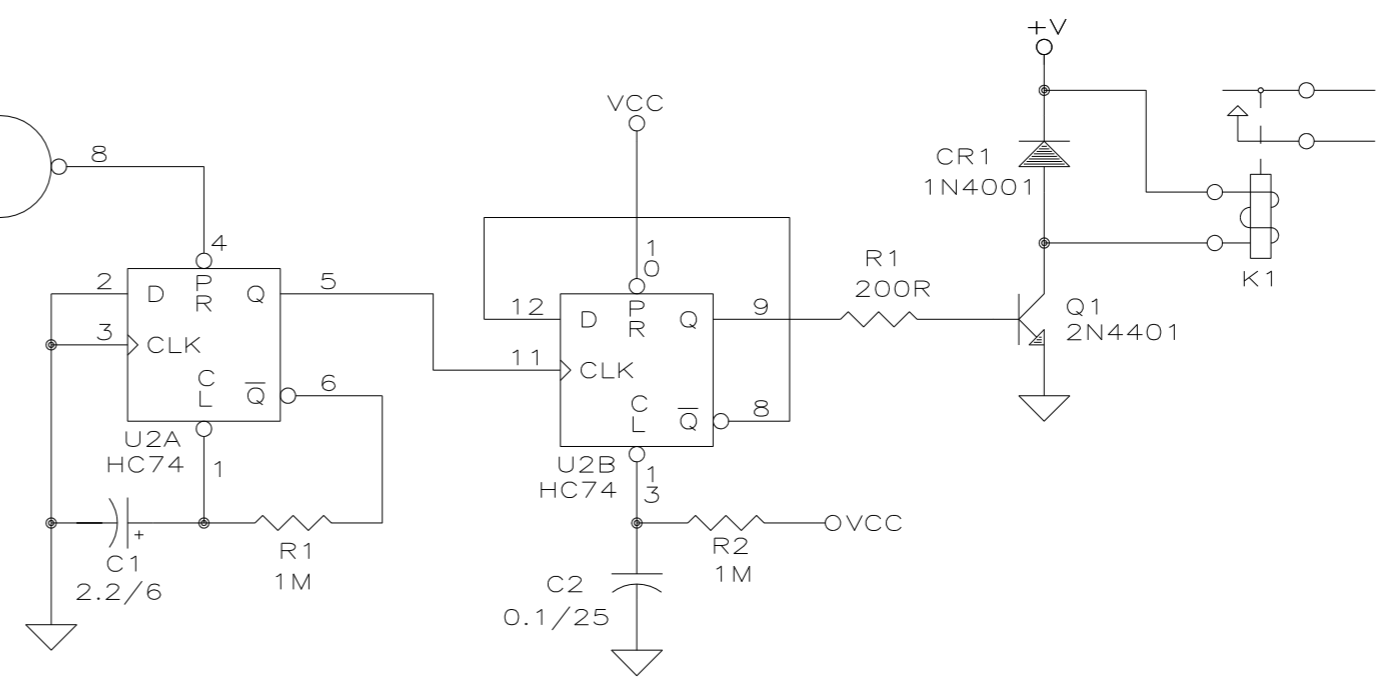


REVISION HISTORY			
REV	DESCRIPTION	DATE	APPROVED



TO CONNECTIONS ON XBOX PAD



**Austin Instruments, Inc.**  
Austin, Republic of Texas

XBOX TOGGLE

DWG SED 20050527