

# Service information



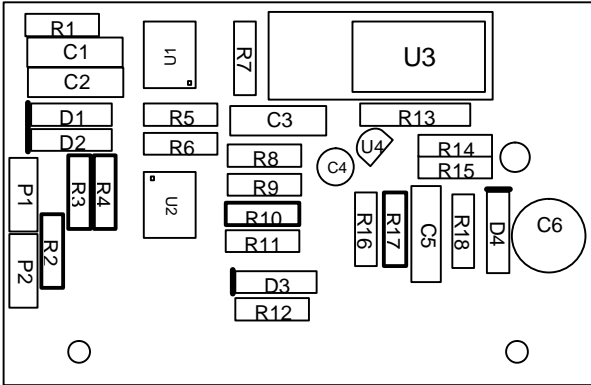
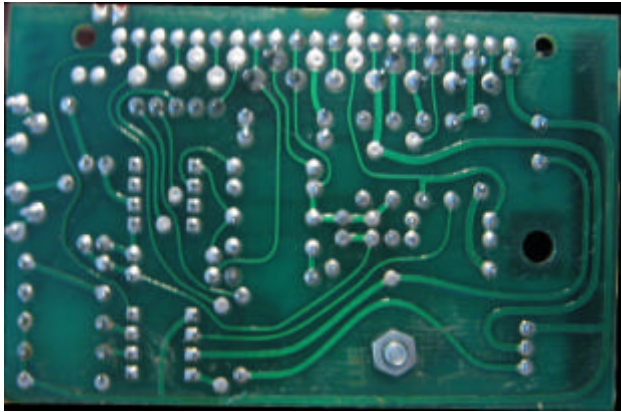
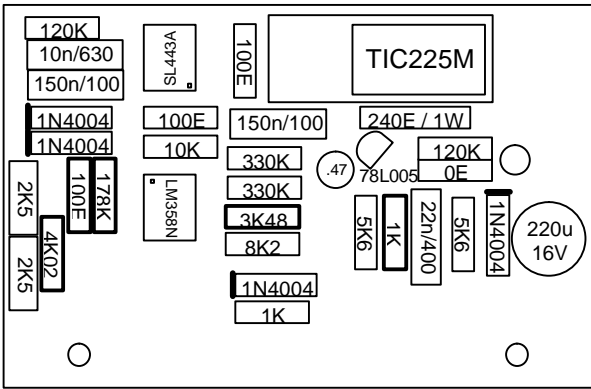
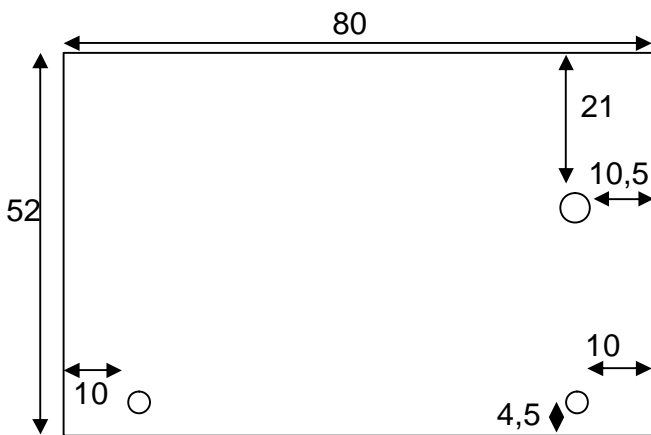
**WELLER** ©  
**EC-2002 Soldering station**

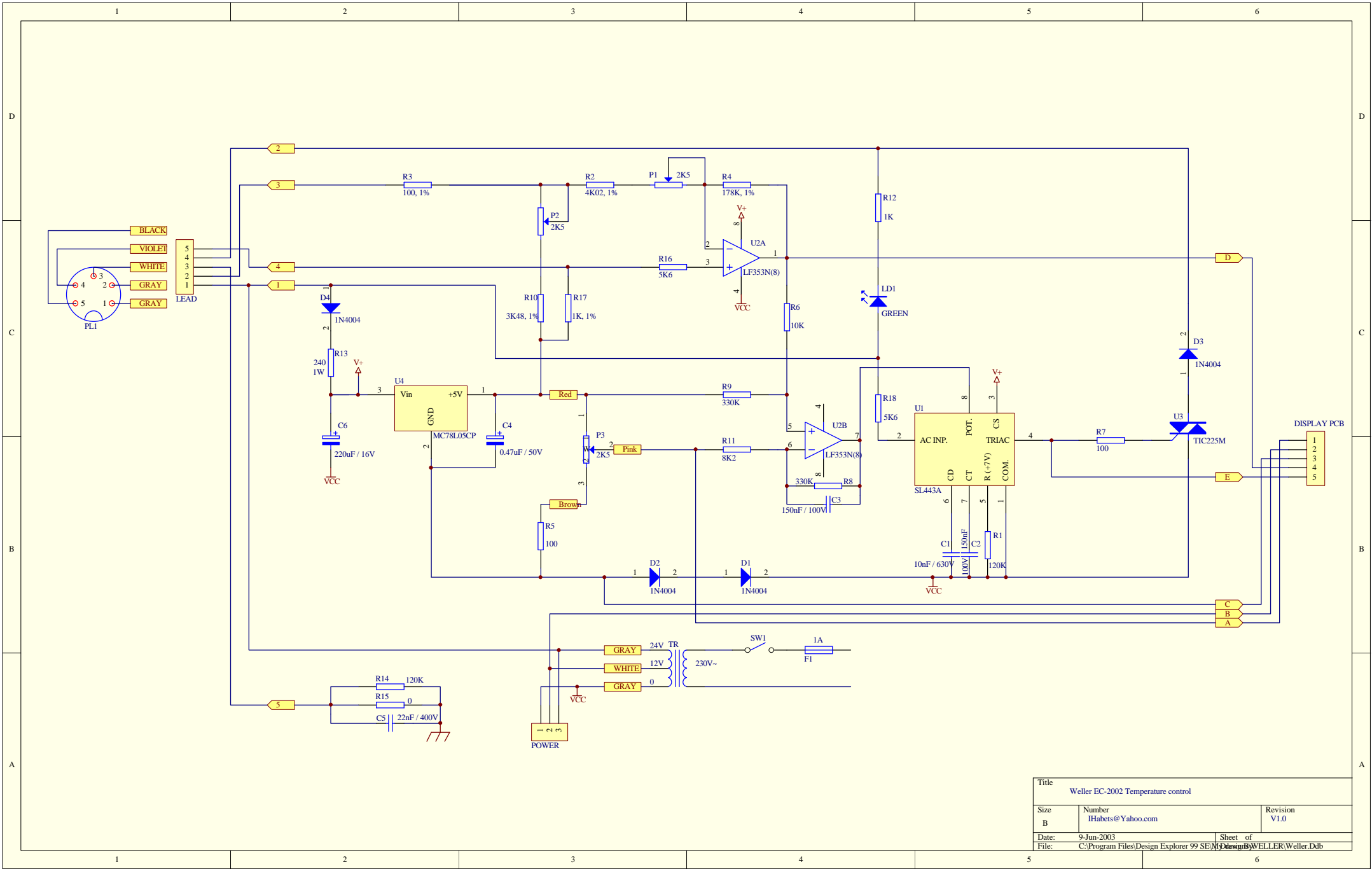
# **WARNING**

**THIS IS NOT ORIGINAL INFORMATION  
FROM WELLER. THEREFORE THE  
AUTHOR CAN NOT BE HELD  
RESPONSIBLE FOR ANY MISTAKE.**

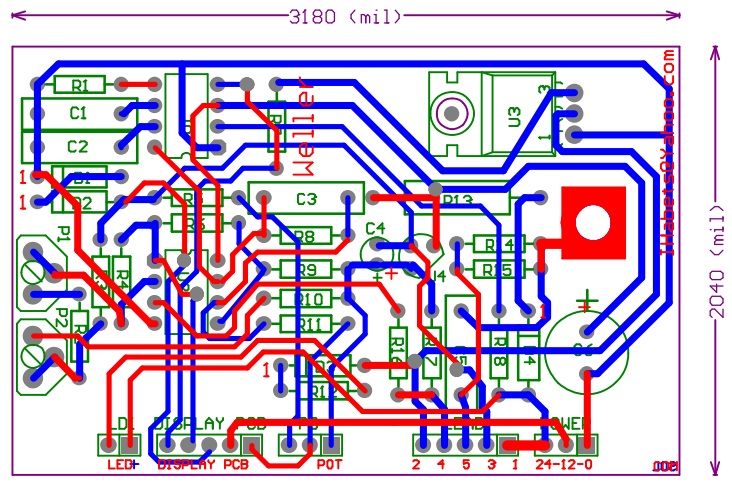
**FOR INFORMATION ONLY**

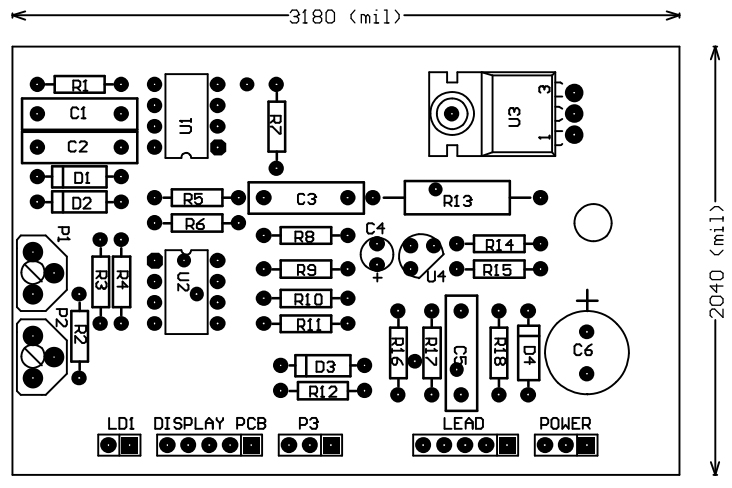
# Weller EC-2002 CONTROL PCB

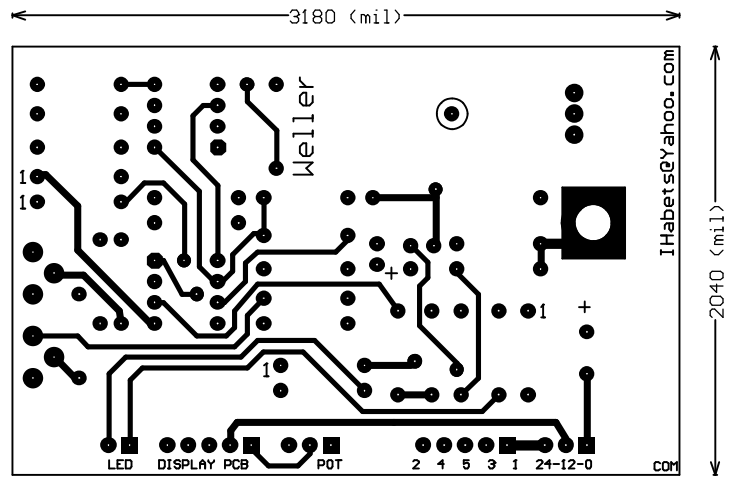


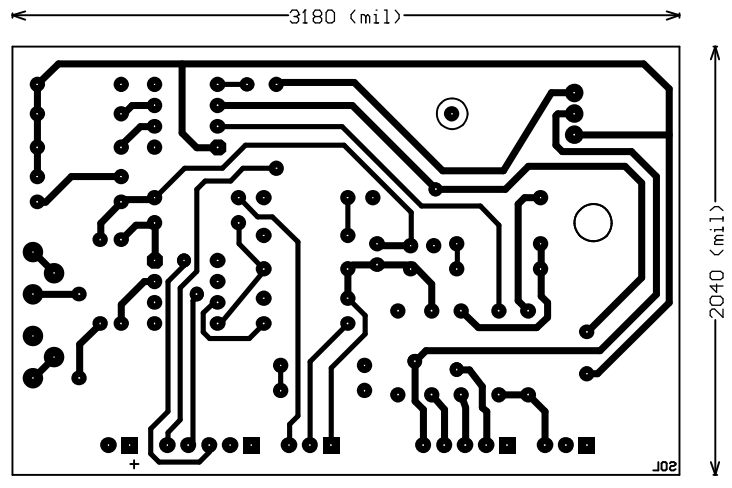


Title Weller EC-2002 Temperature control		
Size B	Number IHabets@yahoo.com	Revision V1.0
Date: 9-Jun-2003	Sheet of 1	
File: C:\Program Files\Design Explorer 99 SE\Weller\Weller.Ddb		



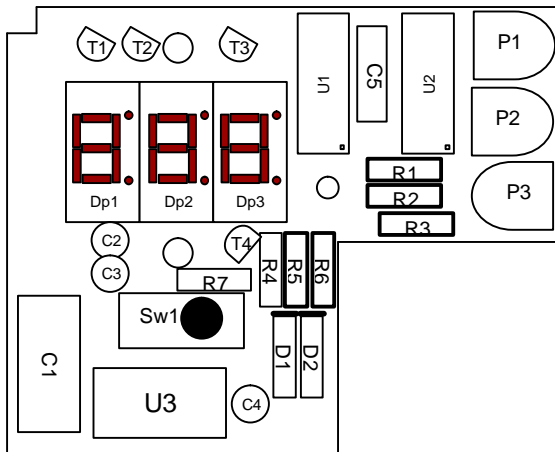
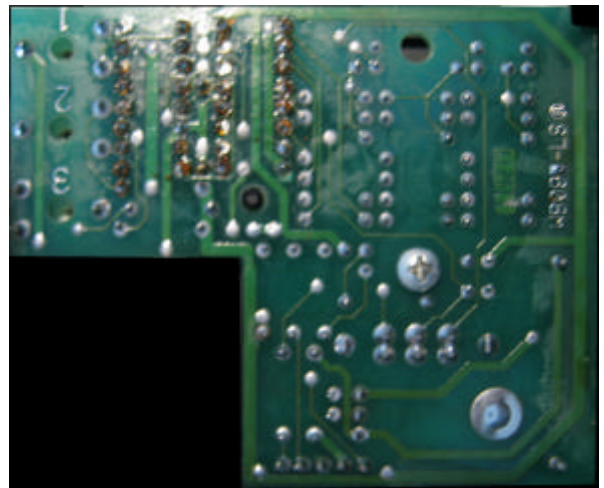
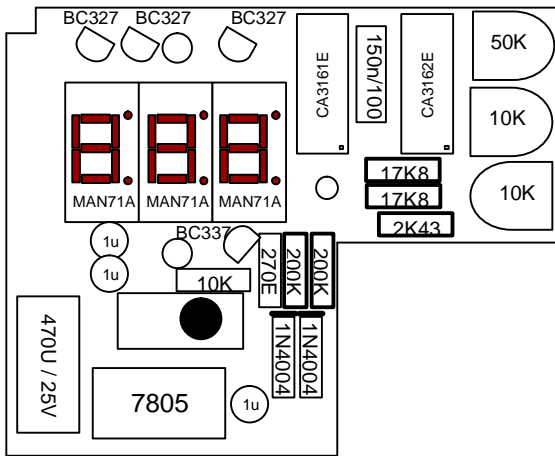
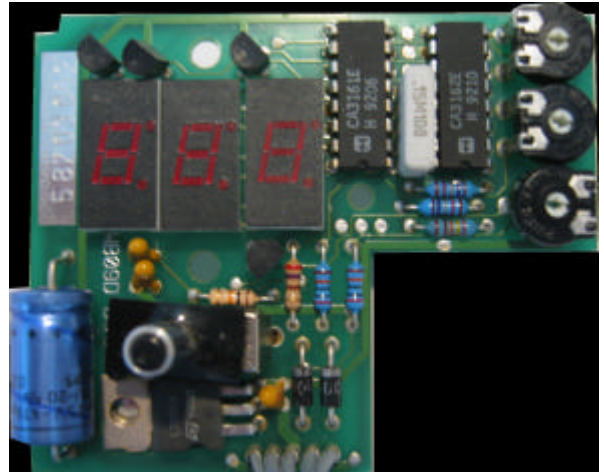
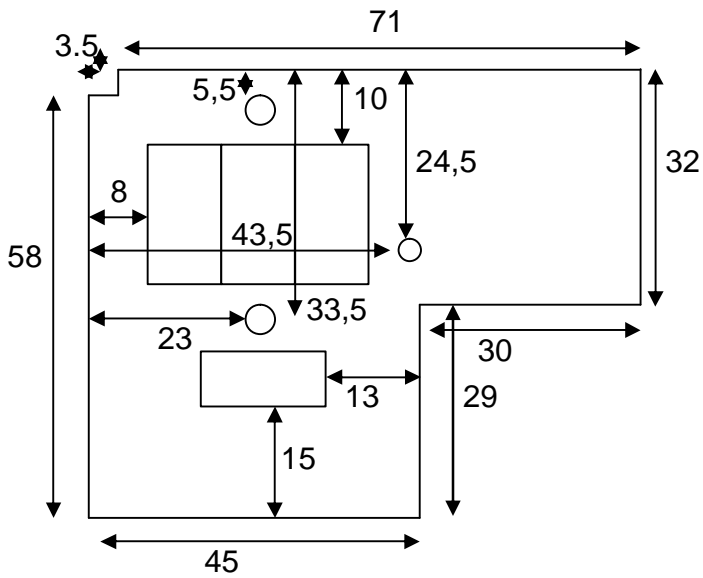


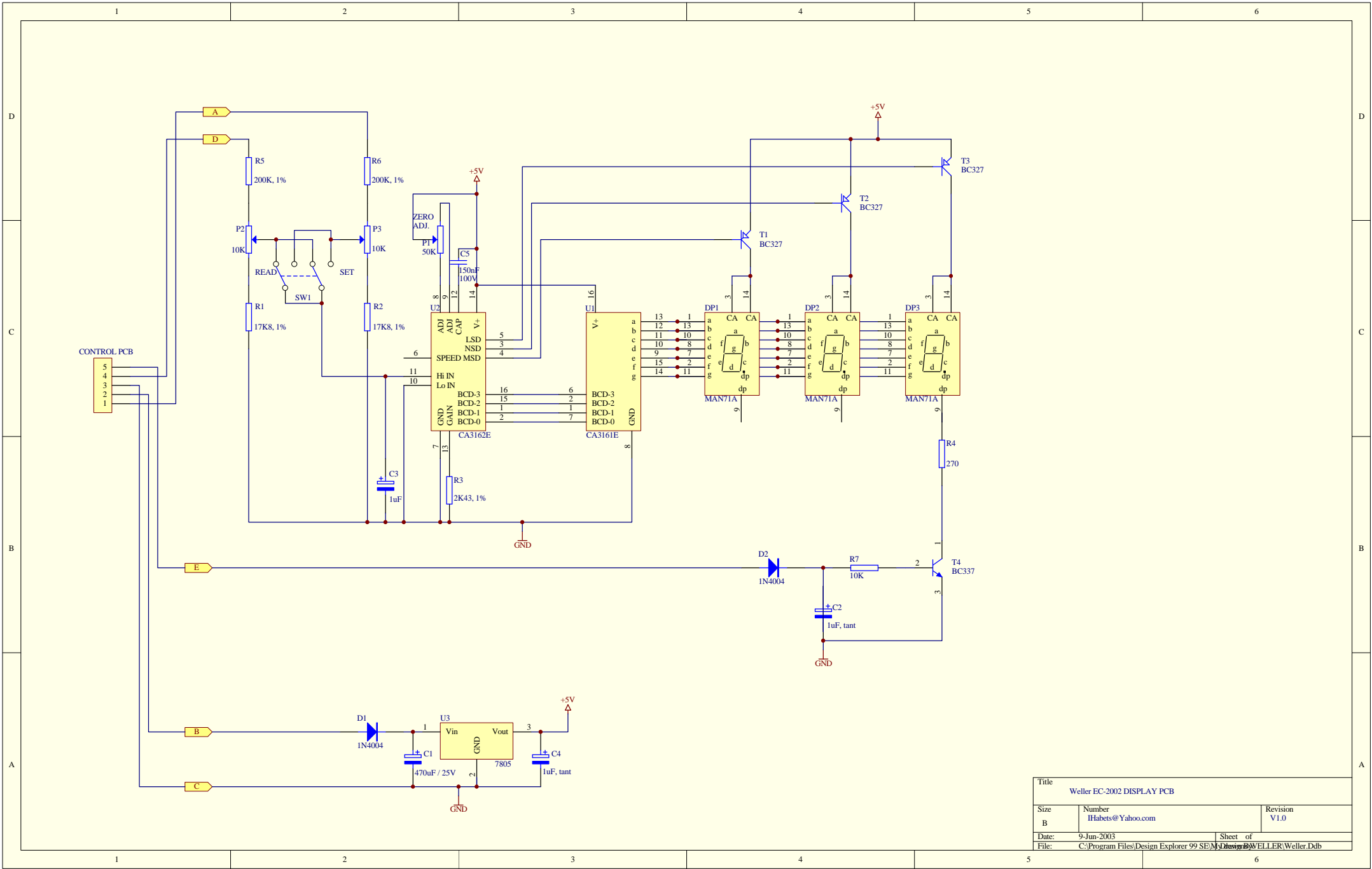






# Weller EC-2002 DISPLAY PCB





Title		
Weller EC-2002 DISPLAY PCB		
Size	Number	Revision
B	IHabets@Yahoo.com	V1.0
Date:	9-Jun-2003	Sheet of
File:	C:\Program Files\Design Explorer 99 SEM\DESIGN\WELLER\Weller.Ddb	

