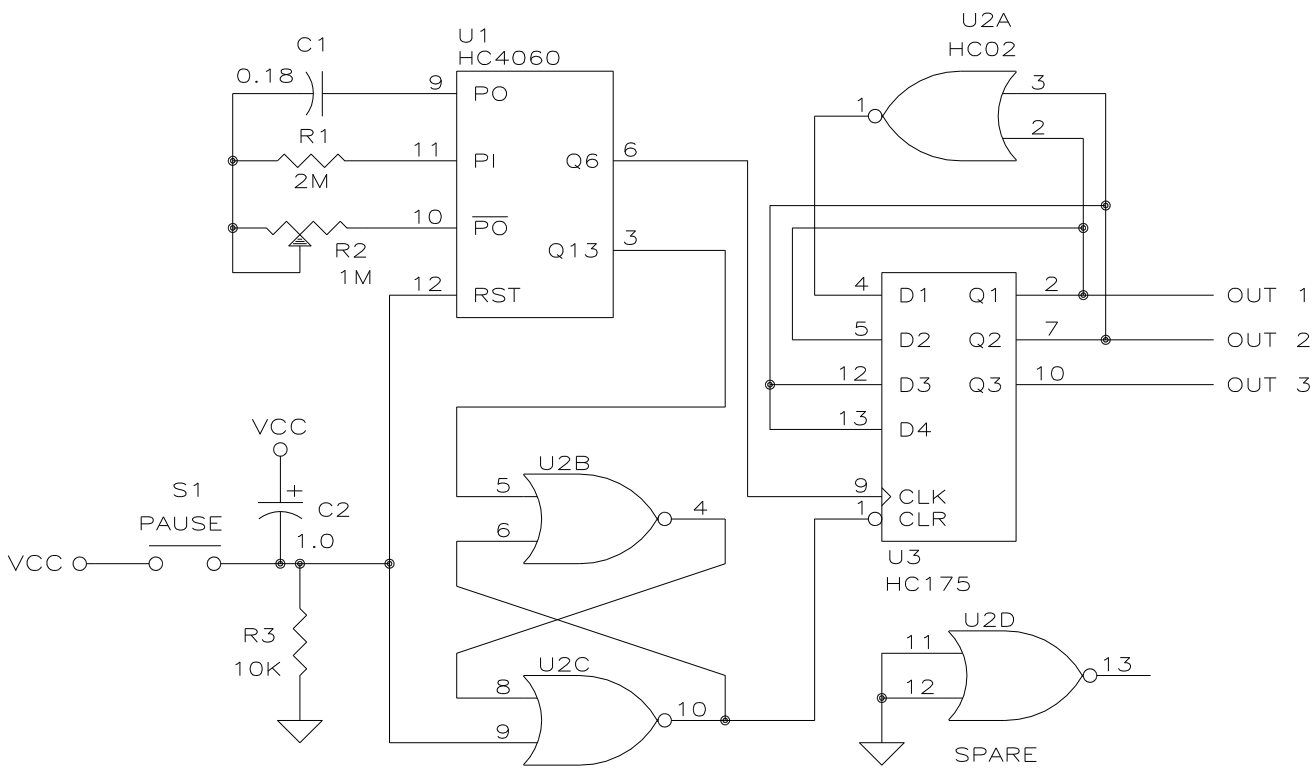



REV.	APPLICATION		REVISIONS			
	NEXT ASSY	USED ON	REV.	DESCRIPTION	DATE	APPROVED
SH 1			A	U4-6 WAS U4-4	25JAN2006	
			B	COMPLETELY REDRAWN	25JAN2006	
			C	CHANGED C1 TO 0.18 $\mu$ F CHANGED R1 TO 2M CHANGED U1Q11 TO U1Q13 ADDED C2	30JAN2006	
DWG. NO.						



UNLESS OTHERWISE SPECIFIED DIMENSIONS ARE IN INCHES TOLERANCES ARE: FRACTIONS DECIMALS ANGLES $\pm 1/32$ .XX $\pm 0.005$ $\pm 1^\circ$ .XXX $\pm 0.001$	CONTRACT NO.		 Austin Instruments, Inc. Austin, Republic of Texas				
	APPROVALS	DATE					
MATERIAL	DRAWN		WAVE TIMER				
FINISH	CHECKED						
	ISSUED	J FIELDS	24JAN06	SIZE	CAGE CODE	DWG. NO.	REV.
				A	$\emptyset$ NM76	SED20060124	C
DO NOT SCALE DRAWING				SCALE	NTS	WAVTMERC.DWG	SHEET 1 OF 1