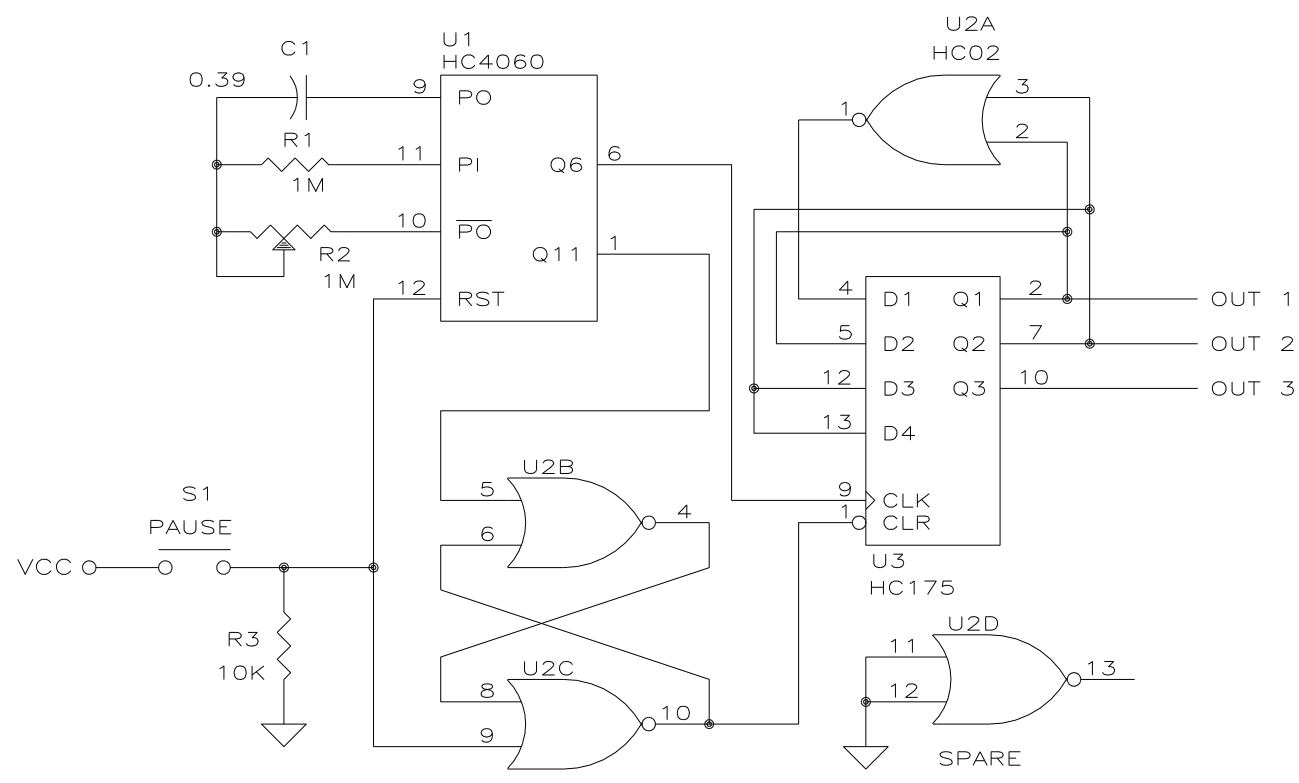



REV.	APPLICATION		REVISIONS			
	NEXT ASSY	USED ON	REV.	DESCRIPTION	DATE	APPROVED
SH 1			A	U4-6 WAS U4-4	25JAN2006	
			B	COMPLETELY REDRAWN	25JAN2006	

DWG. NO.



UNLESS OTHERWISE SPECIFIED DIMENSIONS ARE IN INCHES TOLERANCES ARE: FRACTIONS DECIMALS ANGLES ± 1/32 .XX ± 0.005 ± 1° .XXX ± 0.001	CONTRACT NO.		 Austin Instruments, Inc. Austin, Republic of Texas				
	APPROVALS	DATE					
MATERIAL	DRAWN		<h2 style="margin: 0;">WAVE TIMER</h2>				
FINISH	CHECKED						
	ISSUED	J FIELDS	24JAN06	SIZE A	CAGE CODE ØNM76	DWG. NO. SED20060124	REV. B
DO NOT SCALE DRAWING			SCALE	NTS	WAVTIMER.DWG	SHEET	1 OF 1