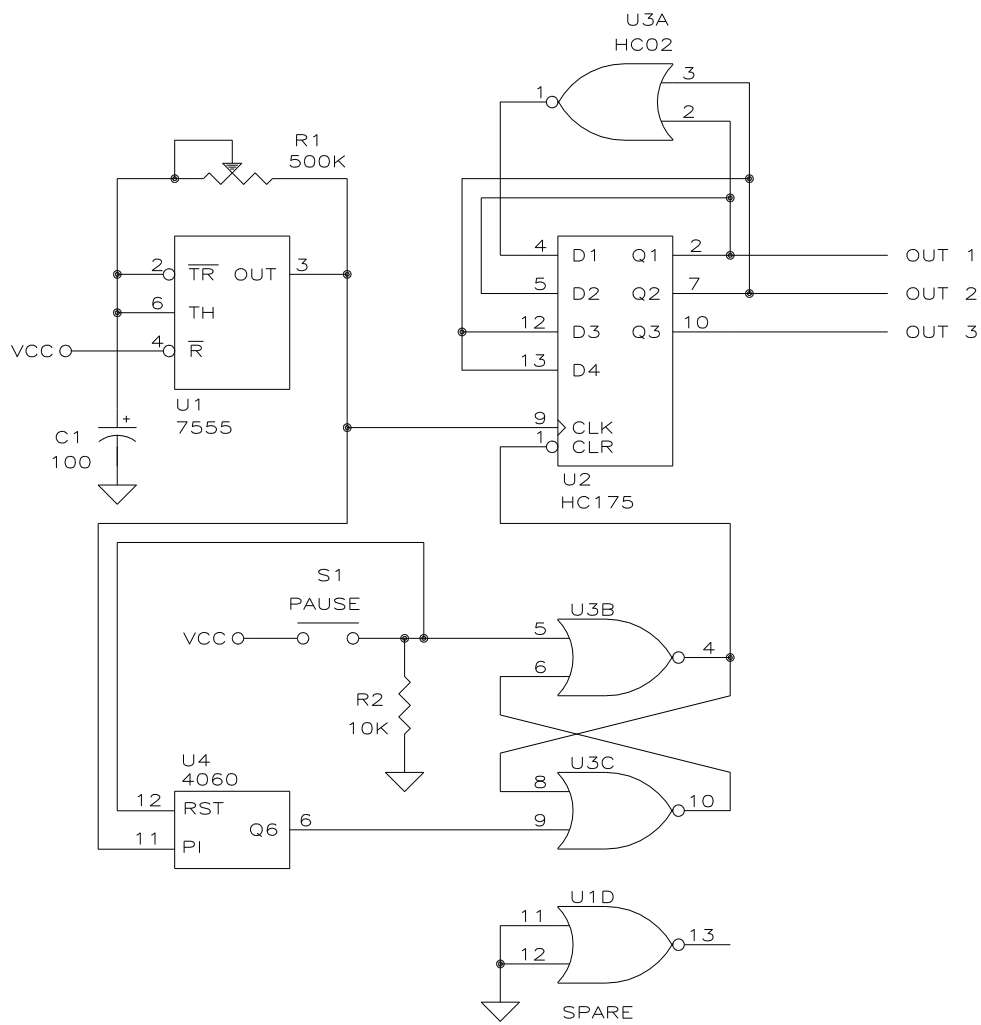



REV.	APPLICATION		REVISIONS			
	NEXT ASSY	USED ON	REV.	DESCRIPTION	DATE	APPROVED
SH 1			A	U4-6 WAS U4-4	25JAN2006	

REV. NO.

DWG. NO.



UNLESS OTHERWISE SPECIFIED DIMENSIONS ARE IN INCHES TOLERANCES ARE: FRACTIONS DECIMALS ANGLES ± 1/32 .XX ± 0.005 ± 1° .XXX ± 0.001	CONTRACT NO.		 Austin Instruments, Inc. Austin, Republic of Texas				
	APPROVALS	DATE					
MATERIAL	DRAWN		WAVE TIMER				
FINISH	CHECKED						
	ISSUED	J FIELDS	24JAN06	SIZE	CAGE CODE	DWG. NO.	REV.
				A	ØNM76	SED20060124	A
DO NOT SCALE DRAWING				SCALE	NTS	WAVTMRA.DWG	SHEET 1 OF 1