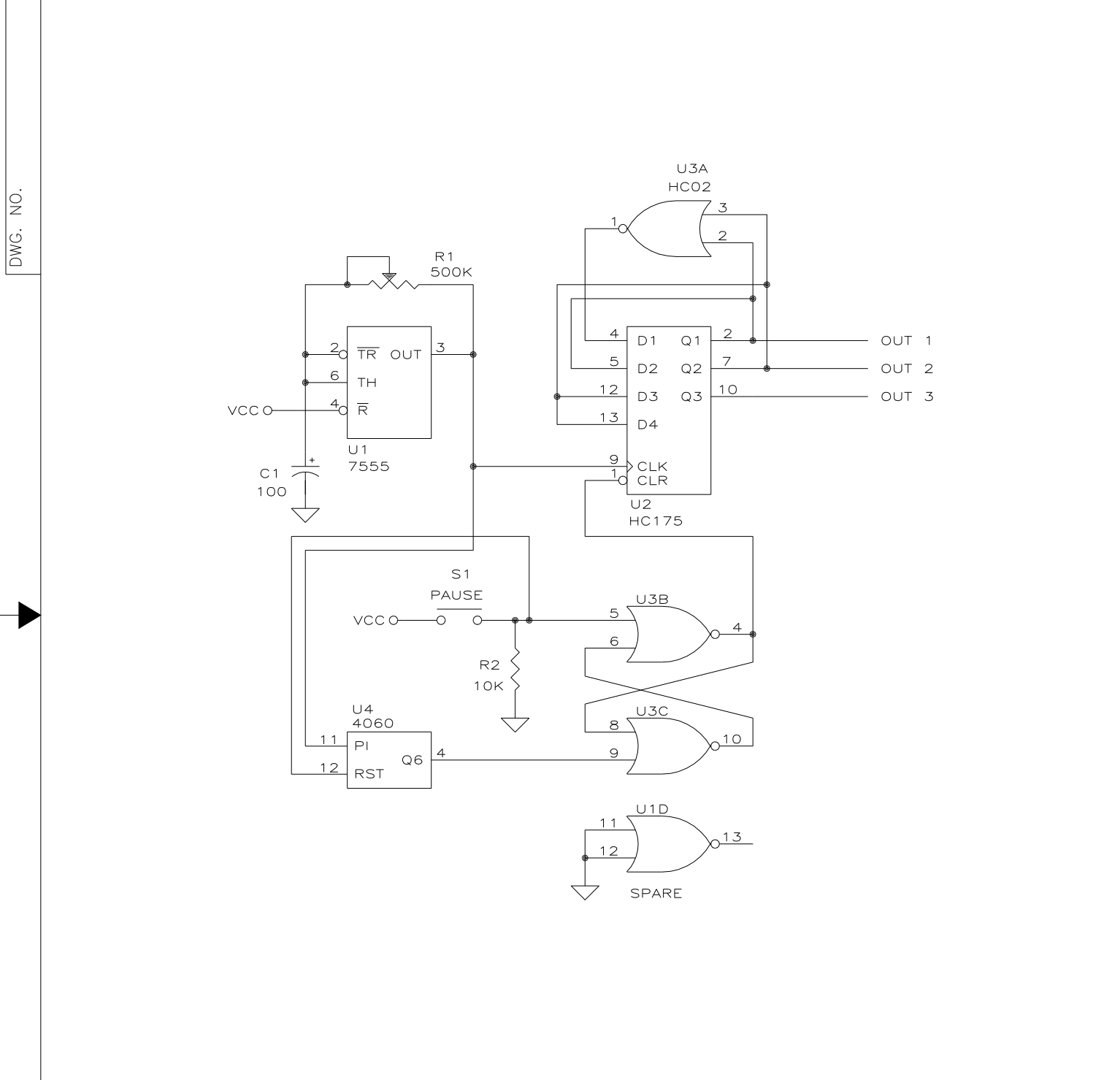



REV.	APPLICATION		REVISIONS			
	NEXT ASSY	USED ON	REV.	DESCRIPTION	DATE	APPROVED
SH 1						



UNLESS OTHERWISE SPECIFIED DIMENSIONS ARE IN INCHES TOLERANCES ARE: FRACTIONS DECIMALS ANGLES ± 1/32 .XX ± 0.005 ± 1° .XXX ± 0.001	CONTRACT NO.		 Austin Instruments, Inc. Austin, Republic of Texas				
	APPROVALS	DATE					
MATERIAL	DRAWN		<h1>WAVE TIMER</h1>				
FINISH	CHECKED						
	ISSUED	J FIELDS	24JAN06	SIZE A	CAGE CODE ØNM76	DWG. NO. SED20060124	REV.
DO NOT SCALE DRAWING				SCALE NTS	WAVTIMER.DWG	SHEET 1 OF 1	