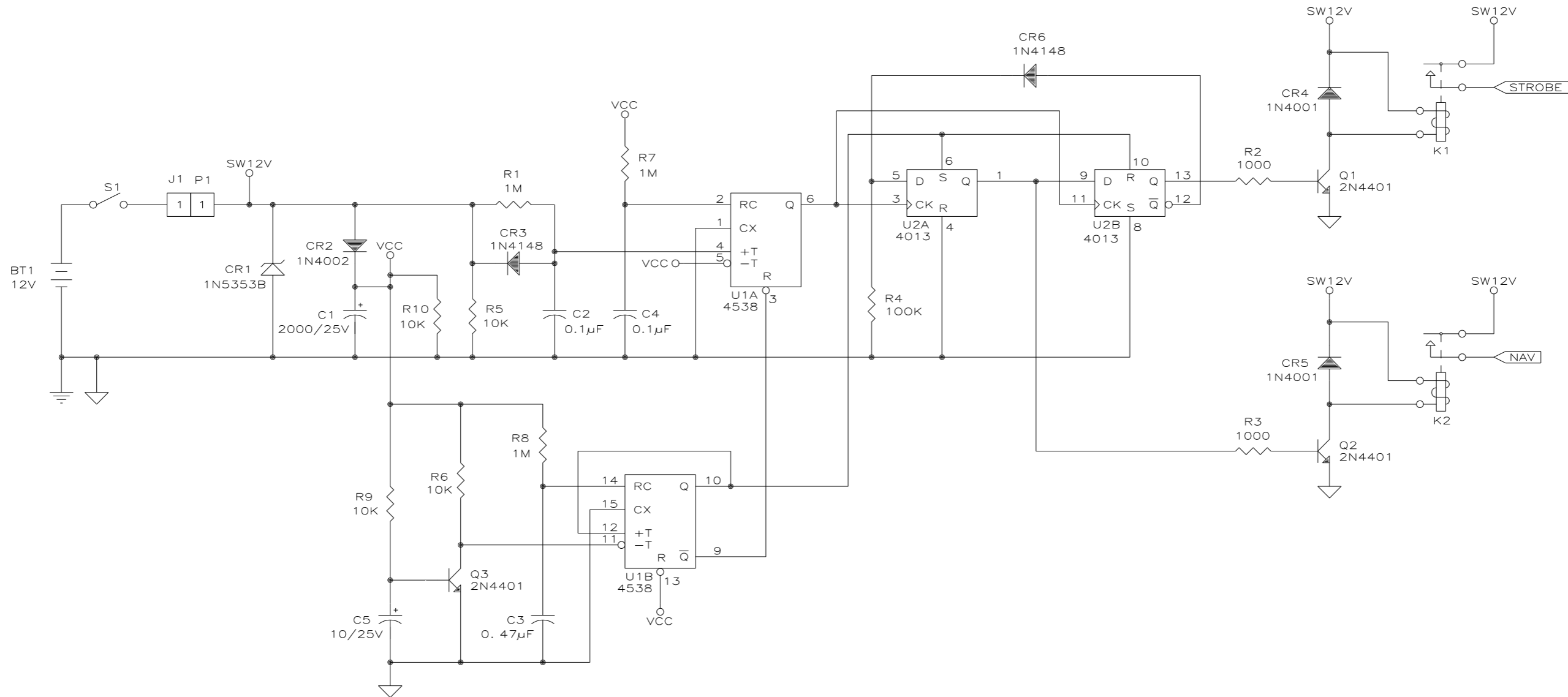


REVISION HISTORY			
REV	DESCRIPTION	DATE	APPROVED
A	DELETED CR3, CHANGED R1 TO 1MEG, CHANGED R5 TO 10K	17OCT2005	



ITEM	QTY REQD	CAGE CODE	PART OR IDENTIFYING NO.	NOMENCLATURE OR DESCRIPTION	MATERIAL SPECIFICATION
PARTS LIST					
UNLESS OTHERWISE SPECIFIED DIMENSIONS ARE IN INCHES TOLERANCES ARE: FRACTIONS    DECIMALS    ANGLES ± 1/32        .XX ± 0.005    ± 1° .XXX ± 0.001				CONTRACT NO.	
				Austin Instruments, Inc. Austin, Republic of Texas	
				NAV-STROBE LIGHT SWITCH	
				APPROVALS	DATE
				DRAWN	
				CHECKED	
				ISSUED	J FIELDS 16OCT05
NEXT ASSY		USED ON		SIZE	CAGE CODE
				B	ØNM76
				DWG. NO.	REV.
				SED20051016	A
APPLICATION		DO NOT SCALE DRAWING		SCALE	SHEET
				NTS	NAVSTROBα.DWG 1 OF 1