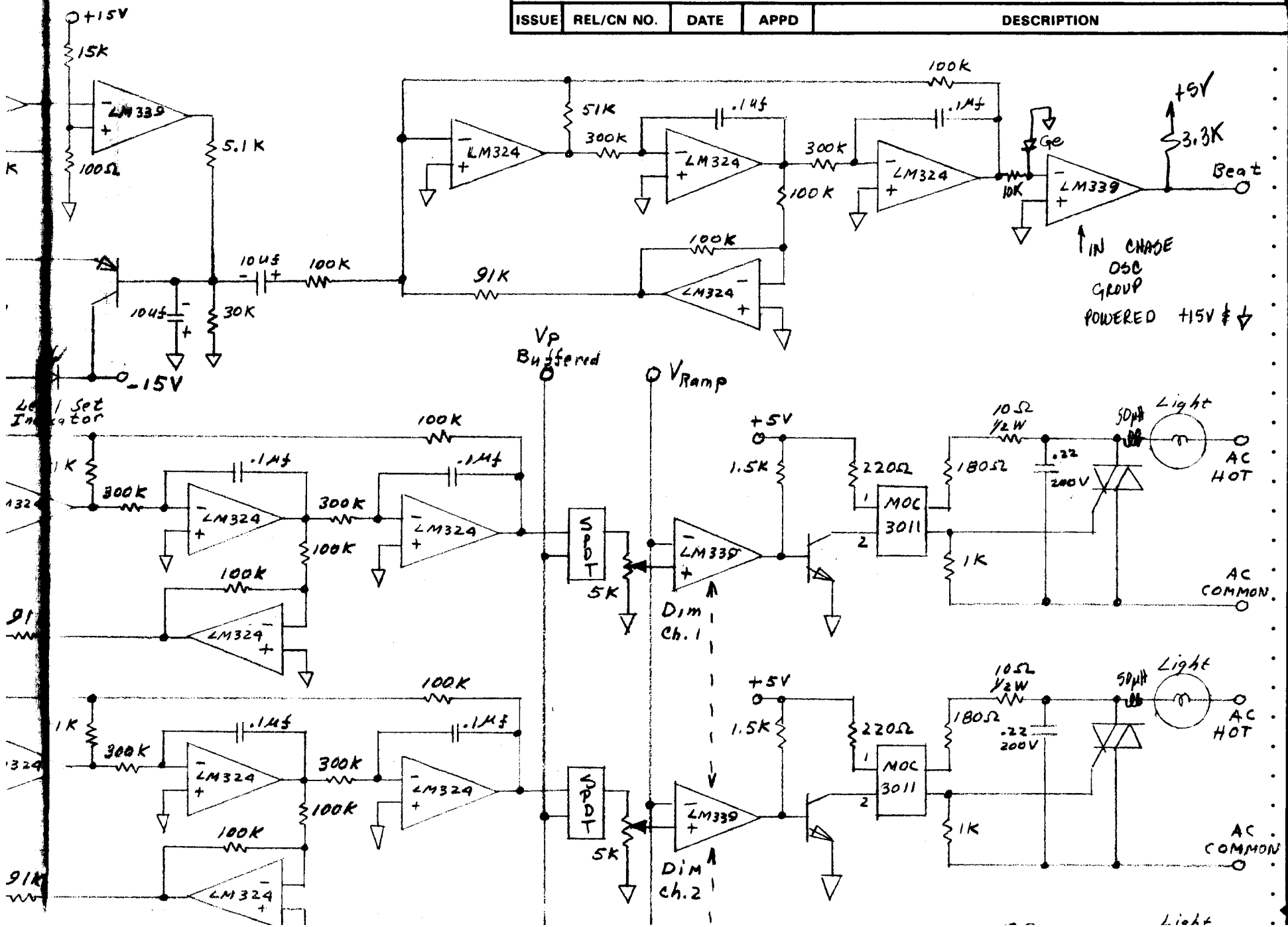
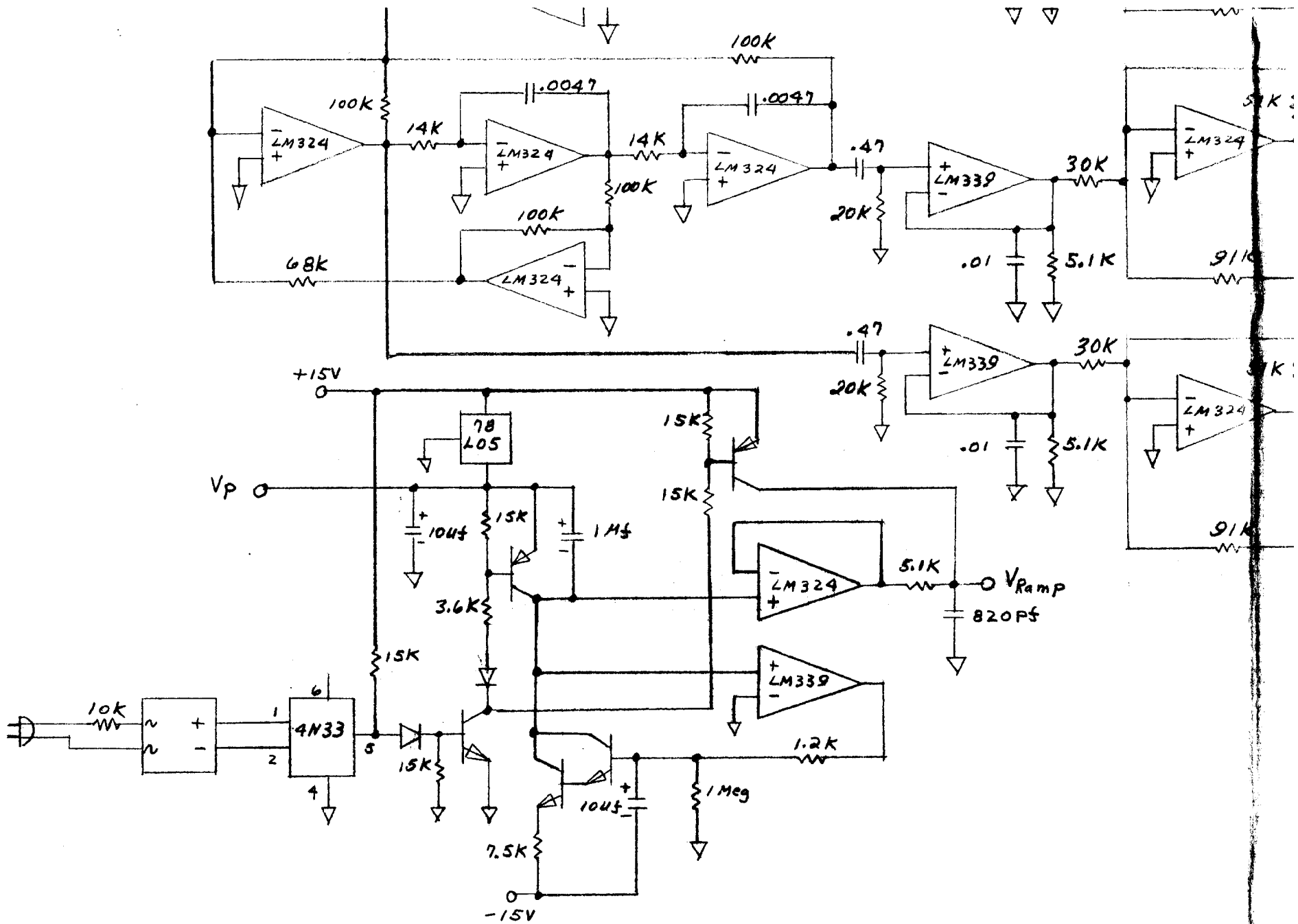
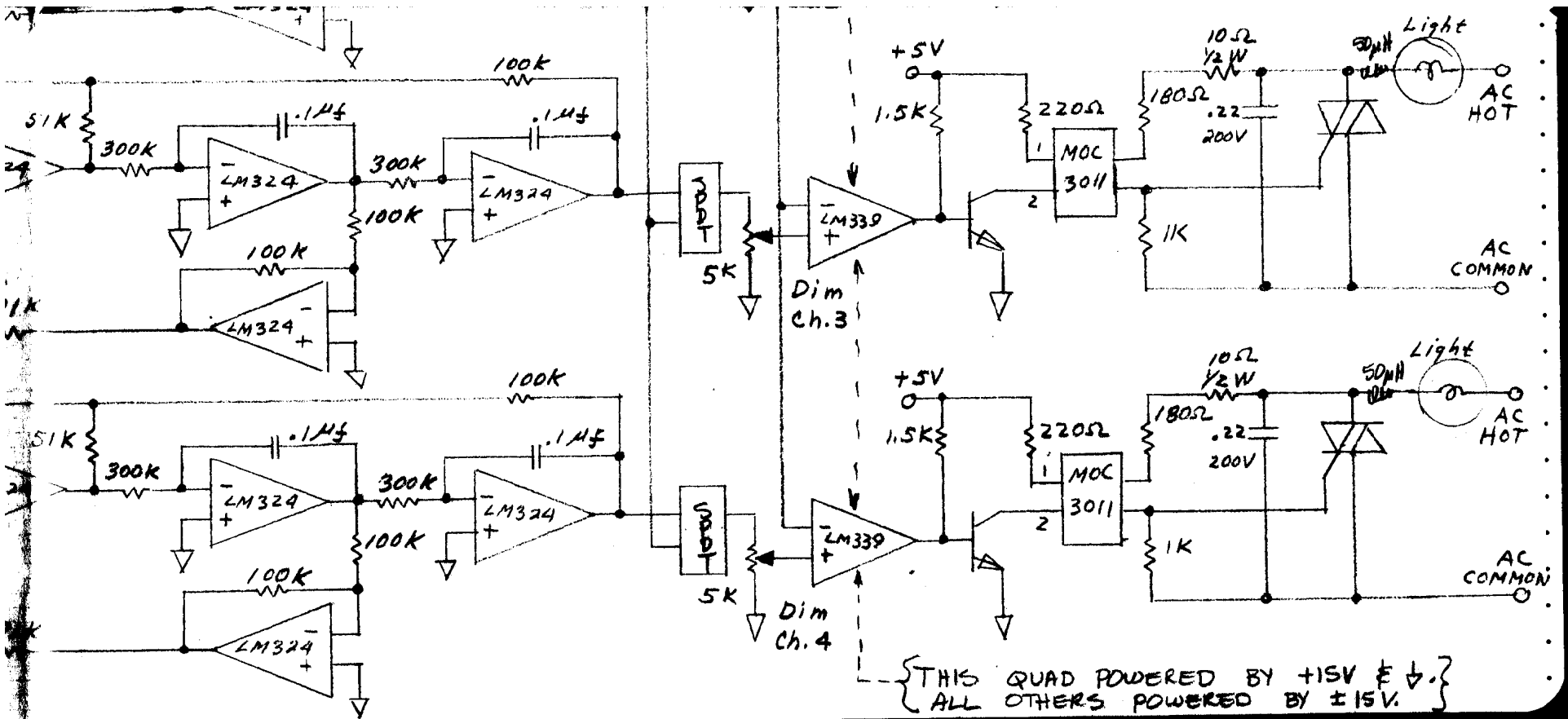


REVISION

ISSUE	REL/CN NO.	DATE	APPD	DESCRIPTION
-------	------------	------	------	-------------







**UNLESS OTHERWISE SPECIFIED:**

DIMENSIONS IN INCHES.  
METRIC DIMENSIONS IN PARENTHESES.

REMOVE ALL BURRS AND SHARP EDGES.

SURFACE QUALITY IN MICROINCHES. ✓

**TOLERANCE:**

2 PLACE DEC. = ±  
3 PLACE DEC. = ±

HOLES ±  
ANGLES ±

SCALE:

DO NOT SCALE DRAWING

**BM:**

THIS DOCUMENT CONTAINS INFORMATION PROPRIETARY TO OMNICO, INC. AND SHALL NOT BE USED FOR ENGINEERING, DESIGN, PROCUREMENT OR MANUFACTURE IN WHOLE OR IN PART WITHOUT CONSENT OF OMNICO, INC.

**DRAWN BY:** JSF      **DATE:** 10/25/78

**CHECKED BY:**      **DATE:**

**ENGINEER:** JET      **DATE:** 10/25/78

**DESIGN MANAGER:**      **DATE:**

DATE:

**TITLE: PROJECT, PART, USE**

**ANALOG PROCESSING UNIT  
(LESS FREE-RUN CHASE OSCILLATOR)**

**omnicomp**      PHOENIX, ARIZONA 85016

**DRAWING NO.**      **SHEET**