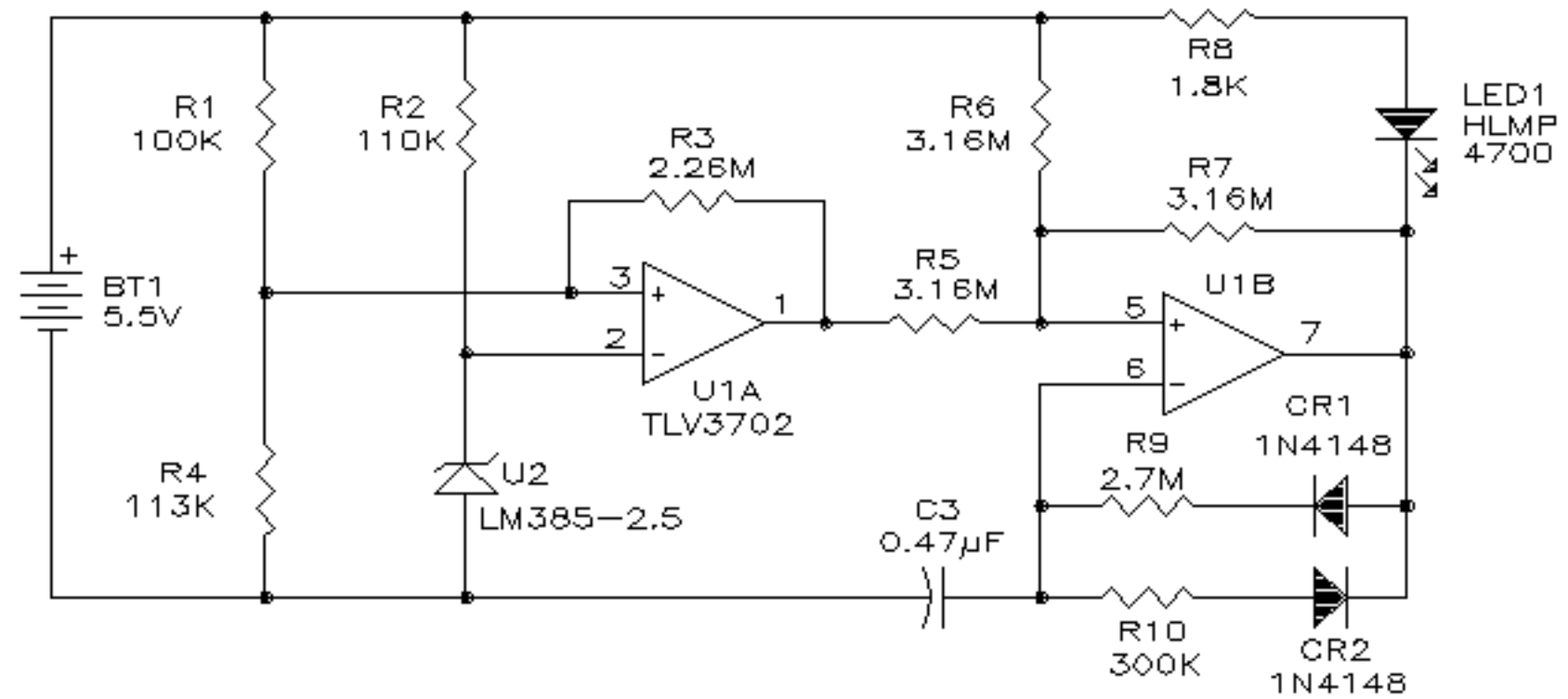



REVISIONS				
ZONE	REV	DESCRIPTION	DATE	APPROVED



NOTES:

1. R8,R9,R10 ARE +/-5% CARBON FILM OR BETTER. ALL OTHER RESISTORS ARE +/-1% METAL FILM
2. C3 IS +/- 5% POLYESTER
3. TRIP POINT SET AT 4.66V WITH R1, R3, AND R4

 Austin Instruments, Inc. Austin, Republic of Texas			
LOW BATTERY DETECTOR AND LED FLASHER			
SIZE A	FSCN NO. ONM76	DWG NO. SED 20040906	REV
SCALE NTS	SHEET 1 OF 1		