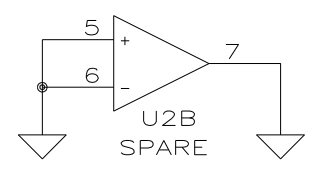
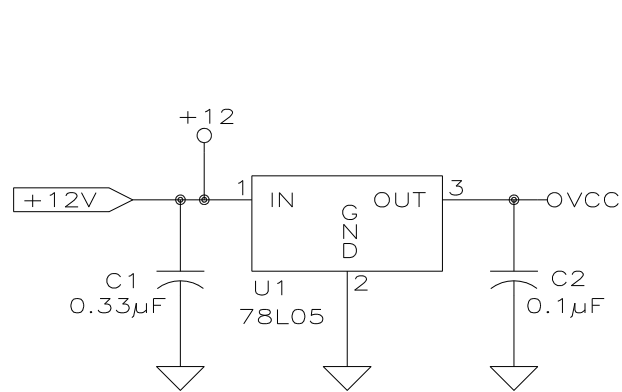
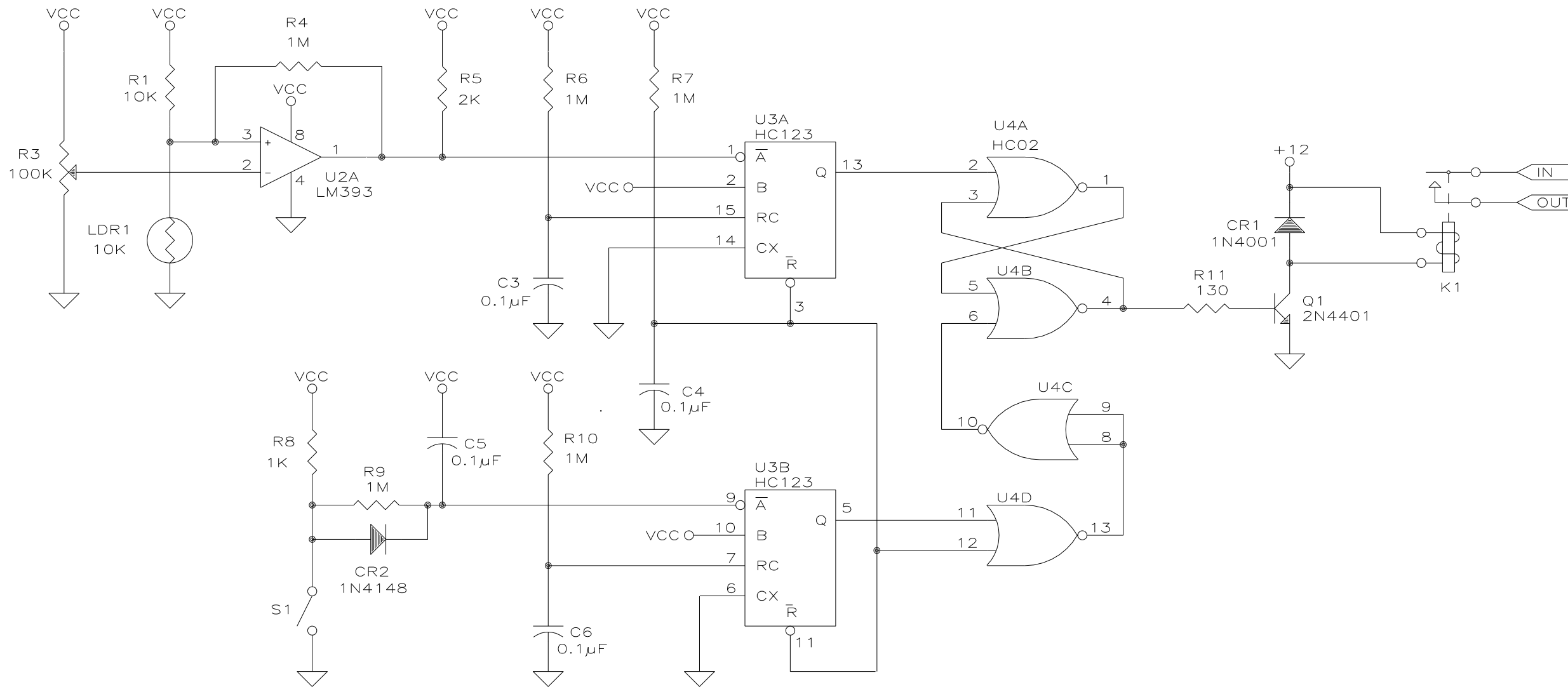


REVISION HISTORY			
REV	DESCRIPTION	DATE	APPROVED
A	REWired PHOTOSENSOR, DELETED R2	23OCT2005	



ITEM	QTY REQD	CAGE CODE	PART OR IDENTIFYING NO.	NOMENCLATURE OR DESCRIPTION	MATERIAL SPECIFICATION
PARTS LIST					
UNLESS OTHERWISE SPECIFIED DIMENSIONS ARE IN INCHES TOLERANCES ARE: FRACTIONS ± 1/32 DECIMALS .XX ± 0.005 ANGLES ± 1° .XXX ± 0.001				CONTRACT NO.	
MATERIAL				APPROVALS	DATE
FINISH				CHECKED	
NEXT ASSY				ISSUED	J FIELDS 23OCT05
USED ON				SIZE	B
APPLICATION				CAGE CODE	ØNM76
DO NOT SCALE DRAWING				DWG. NO.	SED20051023
				SCALE	NTS
				LITEMOTR.DWG	SHEET 1 OF 1

Austin Instruments, Inc.
Austin, Republic of Texas

MOTOR CONTROLLER

REV. A
DWG. NO. SED20051023
SHEET 1 OF 1