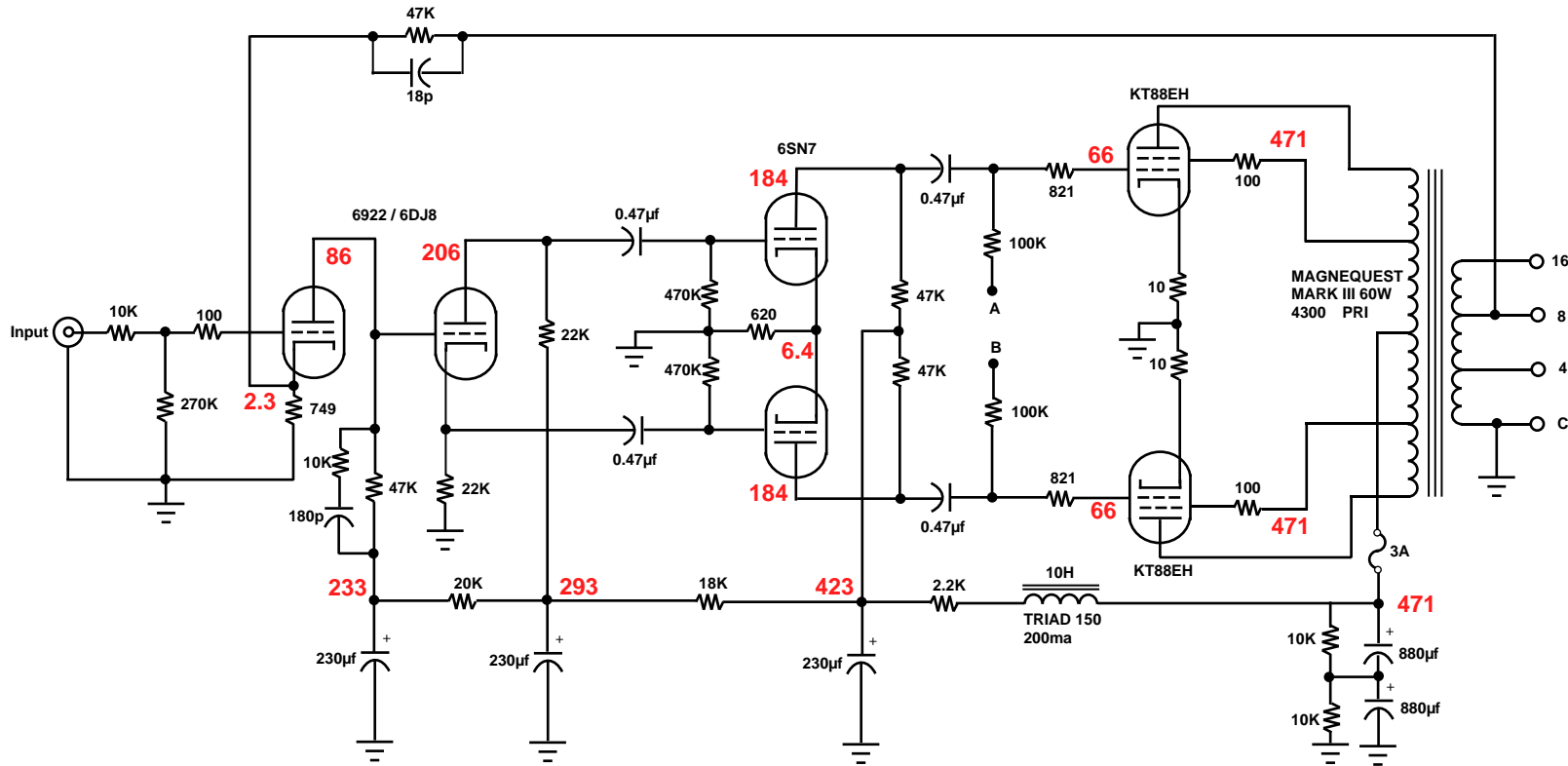


KT88 Project Amplifier



NOTES:

1. DC voltages shown in **RED**
2. Tubes set to 75ma bias each at idle