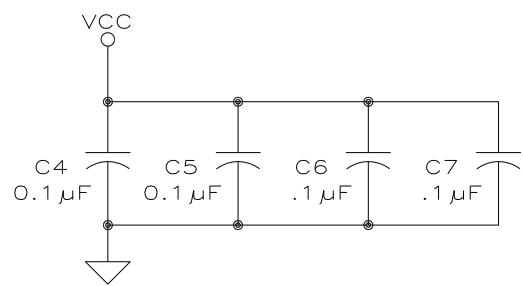
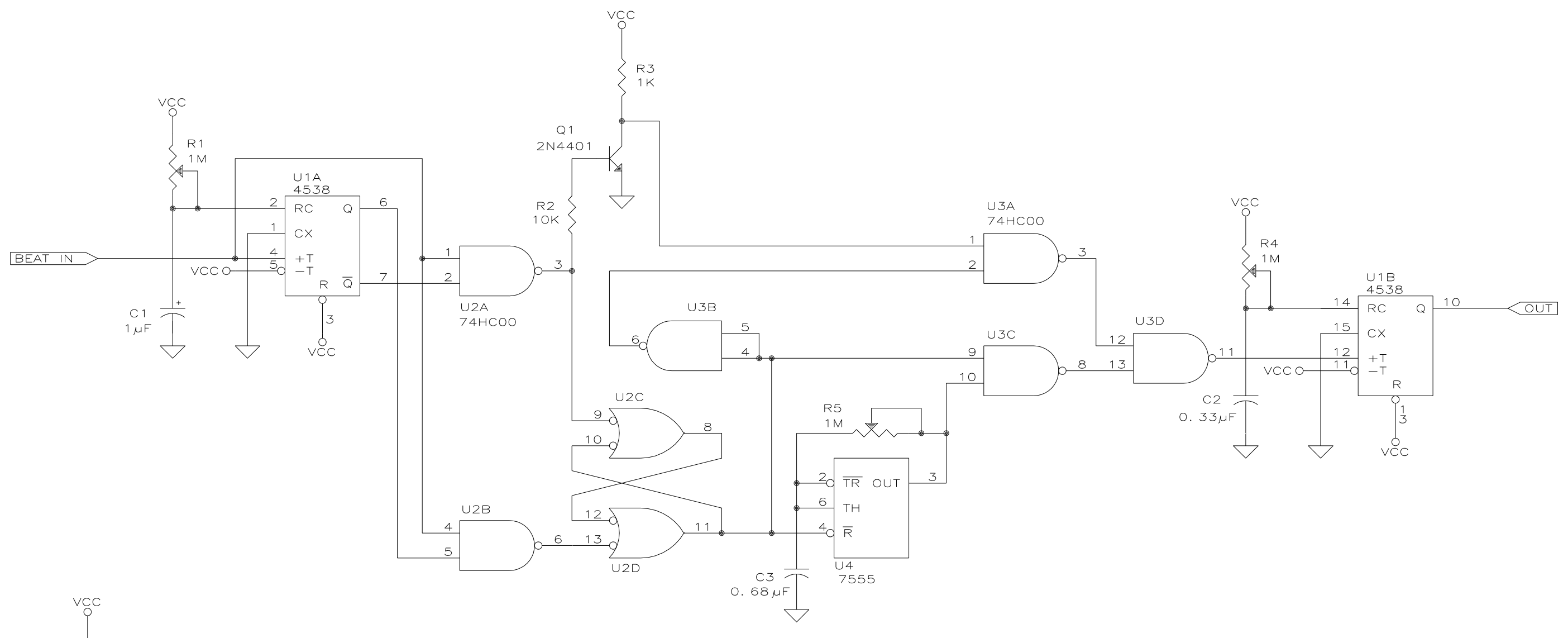


REVISION HISTORY			
REV	DESCRIPTION	DATE	APPROVED



REF	TYPE	Vcc	GND
U1	'4538	16	8
U2	'00	14	7
U3	'00	14	7
U4	7555	8	1

ITEM	QTY REQD	CAGE CODE	PART OR IDENTIFYING NO.	NOMENCLATURE OR DESCRIPTION	MATERIAL SPECIFICATION
PARTS LIST					
UNLESS OTHERWISE SPECIFIED DIMENSIONS ARE IN INCHES TOLERANCES ARE:				CONTRACT NO.	
FRACTIONS ± 1/32				DECIMALS .XX ± 0.005 .XXX ± 0.001	
ANGLES ± 1°				APPROVALS	
MATERIAL				DRAWN	
FINISH				CHECKED	
NEXT ASSY				ISSUED J FIELDS 22AUG05	
USED ON				DATE	
APPLICATION				DO NOT SCALE DRAWING	
				SCALE NTS	
				HARTBEAT.DWG	
				SHEET 1 OF 1	

Austin Instruments, Inc.
Austin, Republic of Texas

HEARTBEAT SWITCH

SIZE B CAGE CODE ØNM76 DWG. NO. SED20050822 REV.