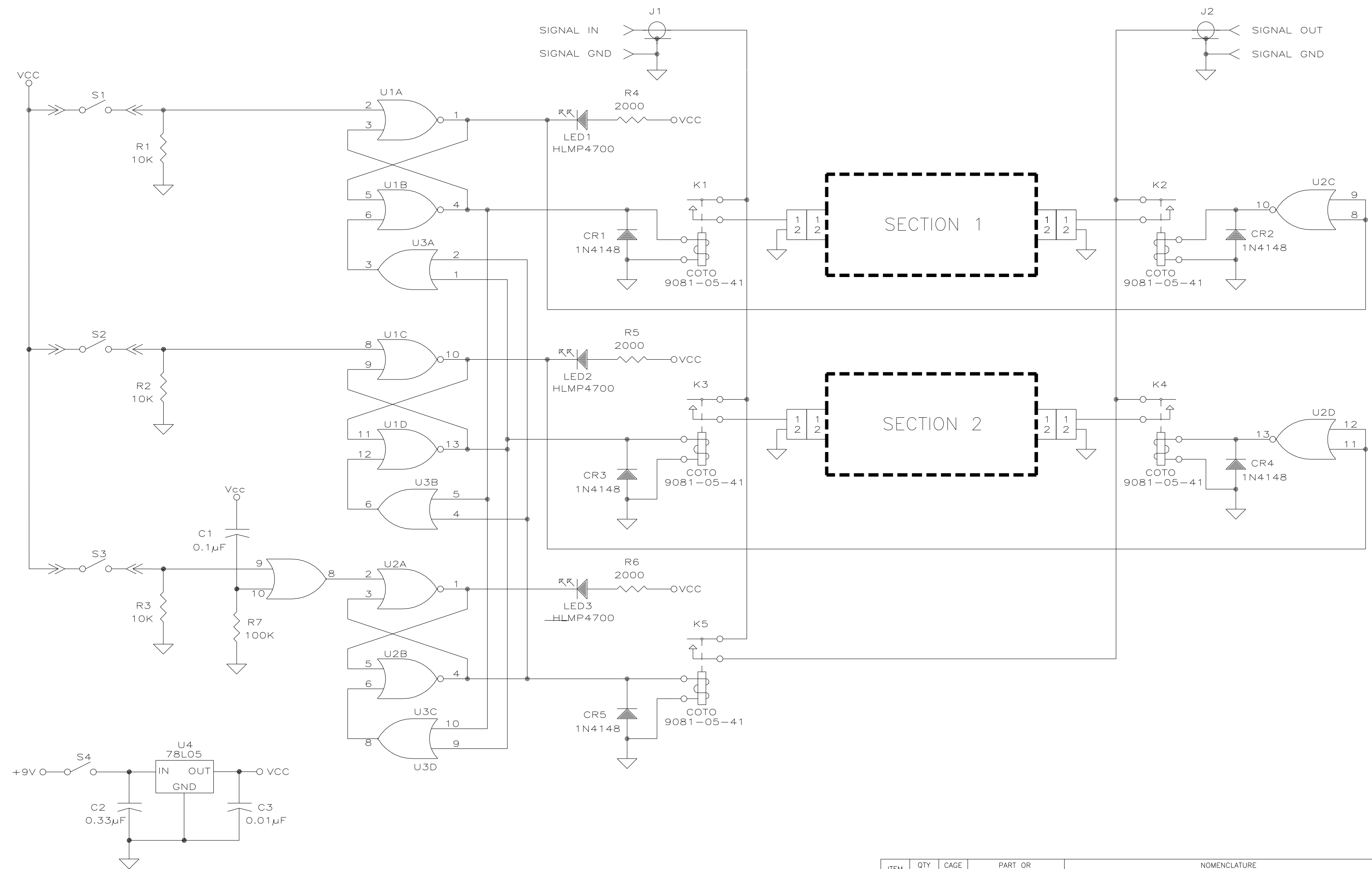
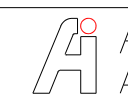


REVISION HISTORY				
ZONE	REV	DESCRIPTION	DATE	APPROVED
	A	ADDED U4 AND POR	04OCT05	
	B	REWIRED POR, CHANGED SHEET SIZE	04OCT05	



REF	TYPE	VCC	GND
U1	HC02	14	7
U2	HC02	14	7
U3	HC32	14	7

ITEM	QTY	CAGE	PART OR	NOMENCLATURE	MATERIAL
RECD		CODE	IDENTIFYING NO.	OR DESCRIPTION	SPECIFICATION
PARTS LIST					
UNLESS OTHERWISE SPECIFIED DIMENSIONS ARE IN INCHES TOLERANCES ARE:			CONTRACT NO.		
FRACTIONS = 1/32			DECIMALS .XX = 0.005 .XXX = 0.001		
ANGLES = 1°			APPROVALS		
MATERIAL			DRAWN		
FINISH			CHECKED		
NEXT ASSY			USED ON		
APPLICATION			DO NOT SCALE DRAWING		
			ISSUED J FIELDS 03OCT05		
SIZE C		CAGE CODE ØNM76		DWG. NO. SED20051003	
SCALE NTS		FXBOX3SW.DWG		SHEET 1 OF 1	


Austin Instruments, Inc.
 Austin, Republic of Texas
EFFECTS SWITCH

DWG. NO. SED20051003 SH 1 REV B