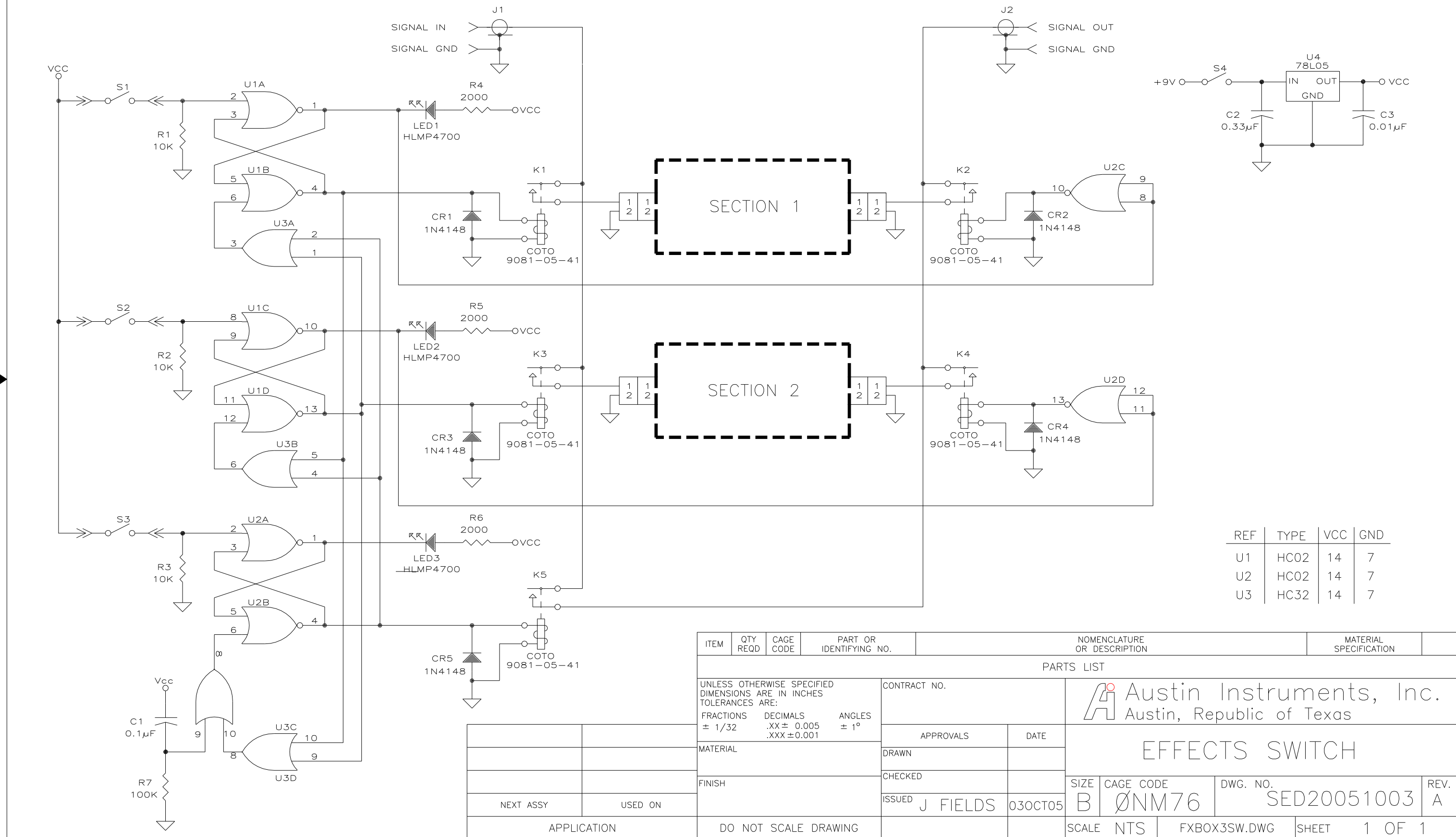


DWG. NO. SED20051003 SH 1 REV.

REVISION HISTORY			
REV	DESCRIPTION	DATE	APPROVED
A	ADDED U4 AND POR	04OCT05	



REF	TYPE	VCC	GND
U1	HC02	14	7
U2	HC02	14	7
U3	HC32	14	7

ITEM	QTY REQD	CAGE CODE	PART OR IDENTIFYING NO.	NOMENCLATURE OR DESCRIPTION	MATERIAL SPECIFICATION
PARTS LIST					
UNLESS OTHERWISE SPECIFIED DIMENSIONS ARE IN INCHES TOLERANCES ARE:				CONTRACT NO.	
FRACTIONS ± 1/32				DECIMALS .XX ± 0.005	
				ANGLES ± 1°	
MATERIAL				APPROVALS	
FINISH				DATE	
NEXT ASSY				DRAWN	
USED ON				CHECKED	
APPLICATION				ISSUED J FIELDS 03OCT05	
DO NOT SCALE DRAWING		SCALE NTS		FXBOX3SW.DWG	

A Austin Instruments, Inc.
Austin, Republic of Texas

EFFECTS SWITCH

SIZE B CAGE CODE ØNM76 DWG. NO. SED20051003 REV. A