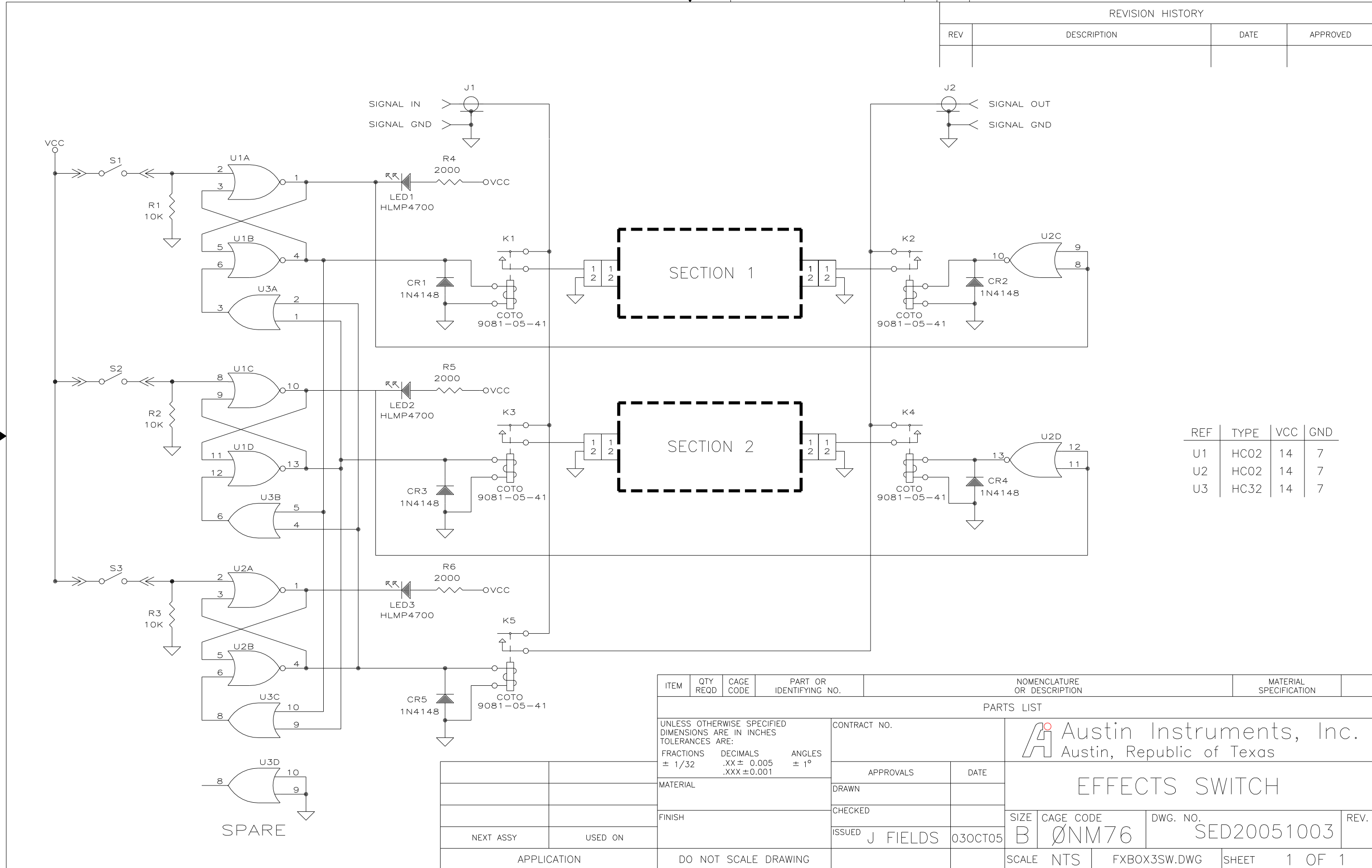


| REVISION HISTORY |             |      |          |
|------------------|-------------|------|----------|
| REV              | DESCRIPTION | DATE | APPROVED |
|                  |             |      |          |



| REF | TYPE | VCC | GND |
|-----|------|-----|-----|
| U1  | HC02 | 14  | 7   |
| U2  | HC02 | 14  | 7   |
| U3  | HC32 | 14  | 7   |

| ITEM  | QTY REQD | CAGE CODE | PART OR IDENTIFYING NO. | NOMENCLATURE OR DESCRIPTION  | MATERIAL SPECIFICATION |
|---|----------|-----------|-------------------------|--|------------------------|
| PARTS LIST  |          |           |                         |  |                        |
| UNLESS OTHERWISE SPECIFIED DIMENSIONS ARE IN INCHES TOLERANCES ARE:<br>FRACTIONS    DECIMALS    ANGLES<br>± 1/32        .XX ± 0.005        ± 1°<br>.XXX ± 0.001 |          |           |                         | CONTRACT NO.   |                        |
| MATERIAL  |          |           |                         | APPROVALS      DATE  |                        |
| FINISH  |          |           |                         | DRAWN  |                        |
| NEXT ASSY      USED ON  |          |           |                         | CHECKED  |                        |
| APPLICATION   |          |           |                         | ISSUED    J FIELDS    030CT05  |                        |
| DO NOT SCALE DRAWING  |          |           |                         | Austin Instruments, Inc.<br>Austin, Republic of Texas<br><br>EFFECTS SWITCH<br>SIZE    CAGE CODE    DWG. NO.    REV.<br>B      ØNM76        SED20051003<br>SCALE    NTS      FXBOX3SW.DWG    SHEET    1 OF 1 |                        |