

PHY1412 Safari

PHY1412 Interchip Signals and Pinout

The PHY1412 pinout diagram is shown in Figure 2. The associated interconnect diagrams are shown as schematics in Figures 3 through 5. A recommended Bill of Materials follows the associated schematics.

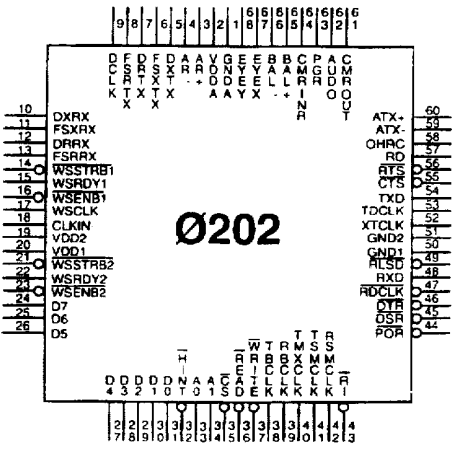
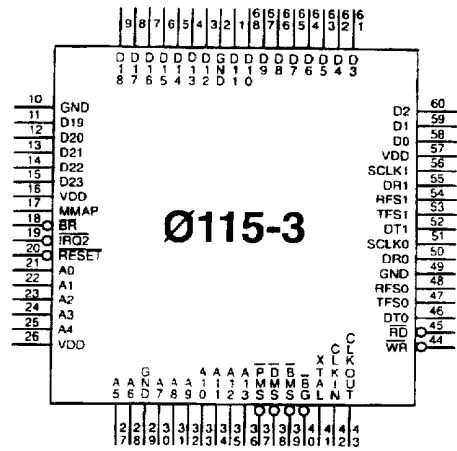
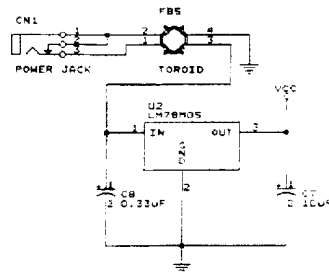


Figure 2. PHY1412 Pinout Diagrams (PLCC Devices)

POWER CIRCUIT



LINE CIRCUIT

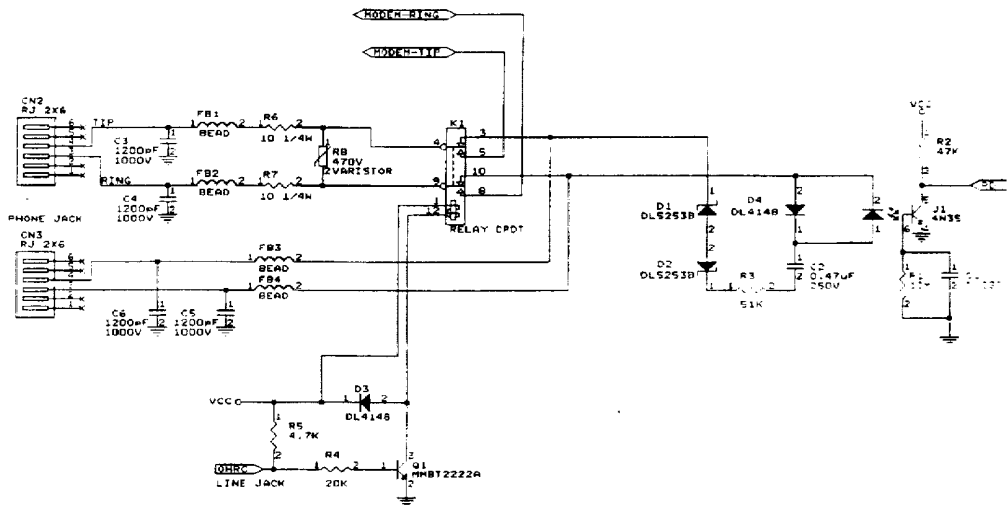
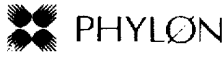


Figure 3. Power, Line Circuits



PHY1412 Safari

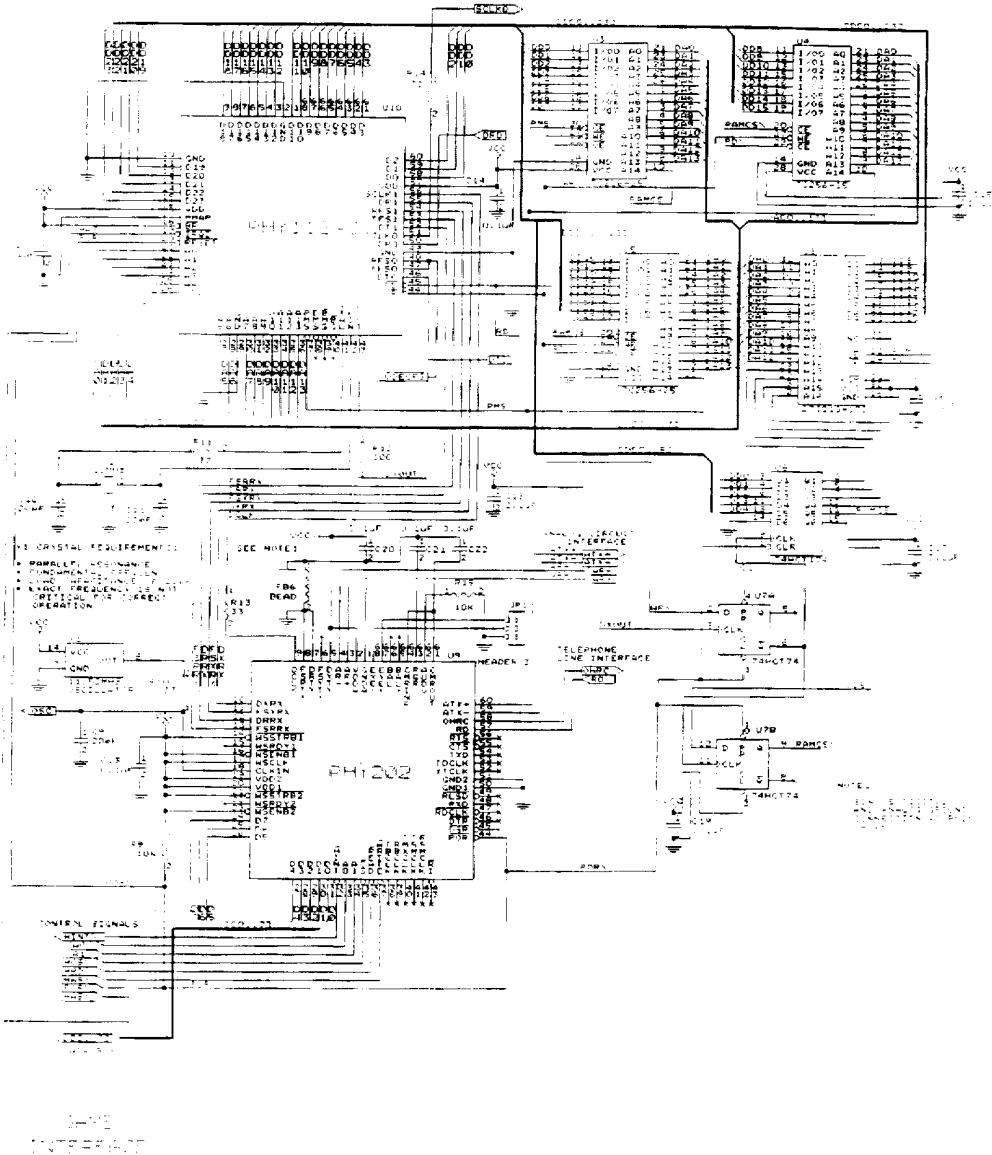
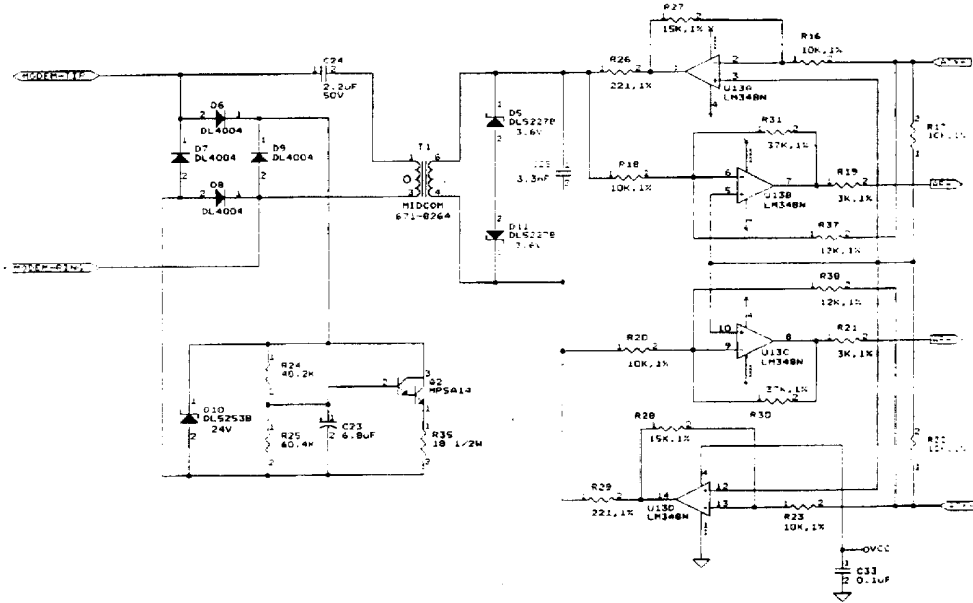


Figure 4. Chip-set Circuit



DAA CIRCUIT



VOICE CIRCUIT

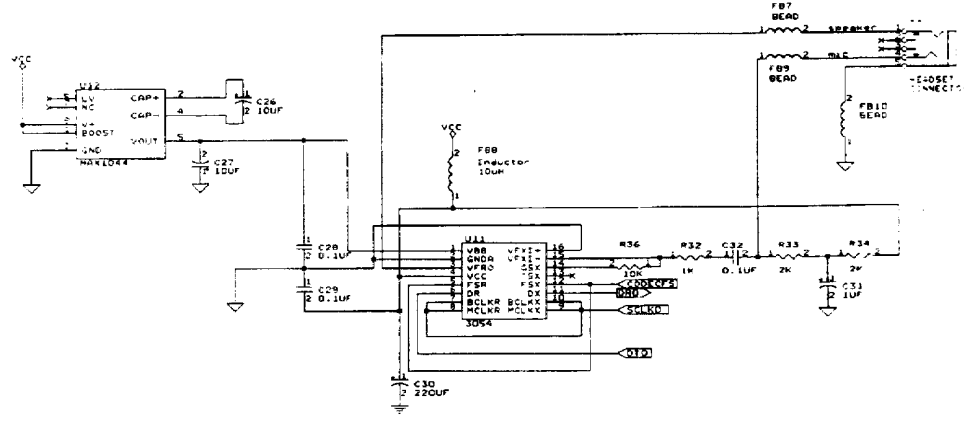


Figure 5. DAA, Voice Circuits