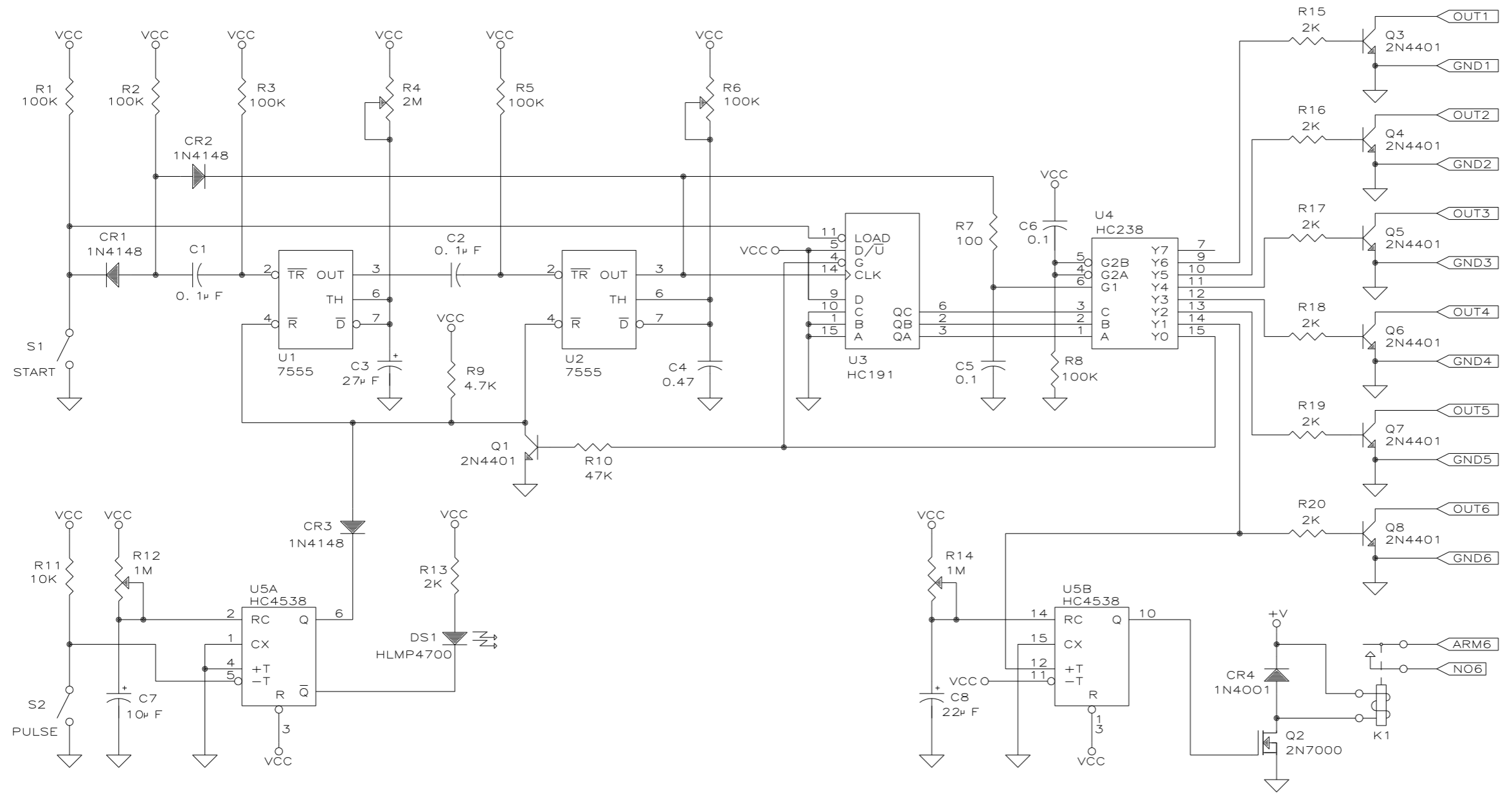


REVISION HISTORY			
REV	DESCRIPTION	DATE	APPROVED



ITEM	QTY REQD	CAGE CODE	PART OR IDENTIFYING NO.	NOMENCLATURE OR DESCRIPTION	MATERIAL SPECIFICATION
PARTS LIST					
UNLESS OTHERWISE SPECIFIED DIMENSIONS ARE IN INCHES TOLERANCES ARE: FRACTIONS DECIMALS ANGLES ± 1/32 .XX ± 0.005 ± 1° .XXX ± 0.001				CONTRACT NO.	
MATERIAL				APPROVALS	DATE
FINISH				CHECKED	
NEXT ASSY		USED ON		ISSUED	J FIELDS 27JUL05
APPLICATION				DO NOT SCALE DRAWING	
AUSTIN INSTRUMENTS, INC.		AUSTIN, REPUBLIC OF TEXAS		EXERCISE BICYCLE TIMER	
SIZE	CAGE CODE	DWG. NO.	REV.		
B	ØNM76	SED20050727	A		
SCALE	NTS	60OUTS2A.DWG	SHEET	1 OF 1	