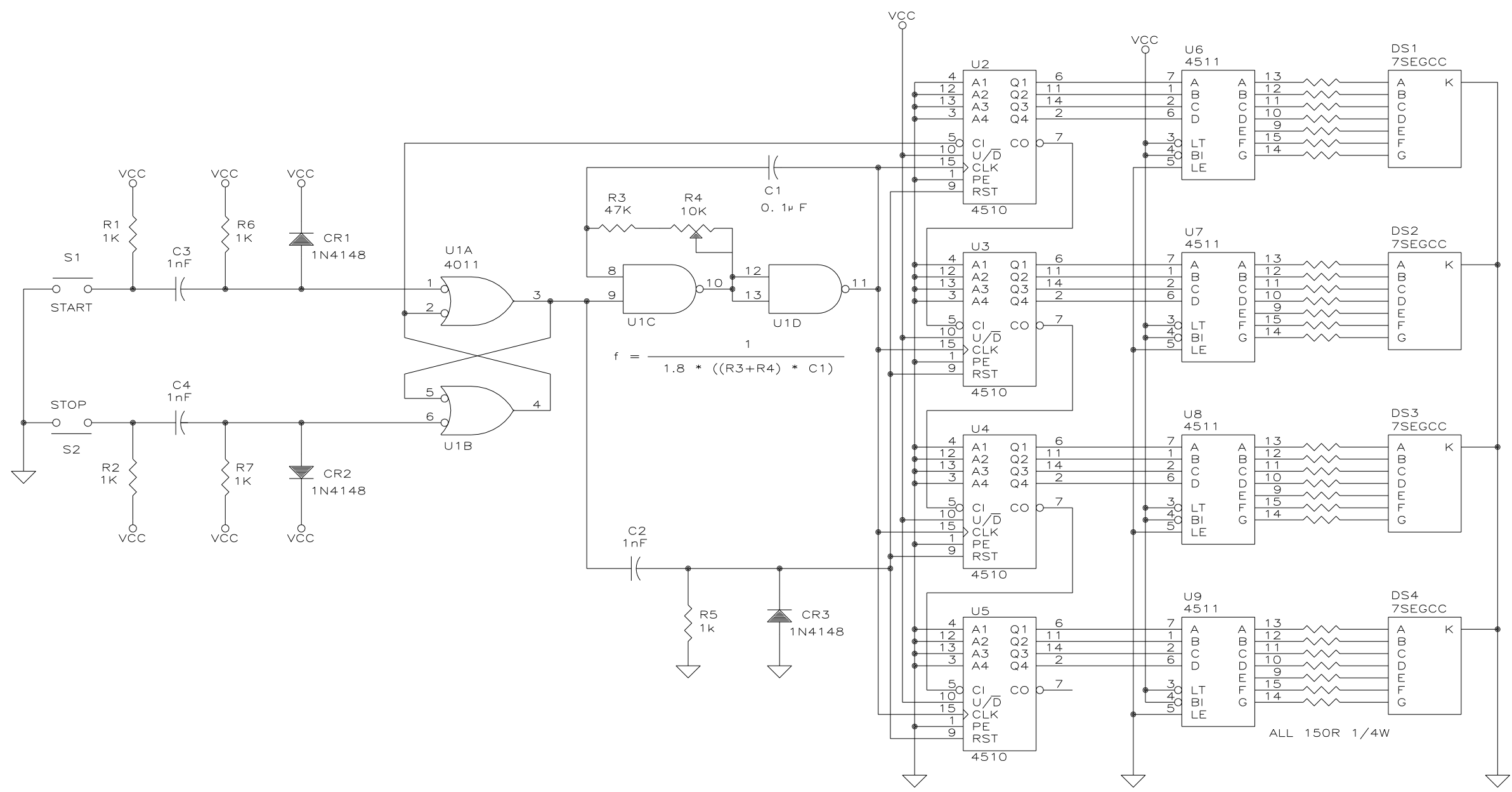


REVISION HISTORY			
REV	DESCRIPTION	DATE	APPROVED



ITEM	QTY REQD	CAGE CODE	PART OR IDENTIFYING NO.	NOMENCLATURE OR DESCRIPTION	MATERIAL SPECIFICATION
PARTS LIST					
UNLESS OTHERWISE SPECIFIED DIMENSIONS ARE IN INCHES TOLERANCES ARE: FRACTIONS    DECIMALS    ANGLES ± 1/32        .XX ± 0.005    ± 1° .XXX ± 0.001				CONTRACT NO.	
MATERIAL				APPROVALS	DATE
FINISH				CHECKED	
NEXT ASSY				ISSUED	J FIELDS 01APR06
USED ON				SIZE	CAGE CODE
APPLICATION				B	ØNM76
DO NOT SCALE DRAWING				DWG. NO.	SED20060401
				SCALE	NTS
				REV.	A
				SHEET	1 OF 1

Austin Instruments, Inc.  
Austin, Republic of Texas

4 DIGIT BCD COUNTER  
AND DISPLAY

SIZE B CAGE CODE ØNM76 DWG. NO. SED20060401 REV. A

SCALE NTS SHEET 1 OF 1