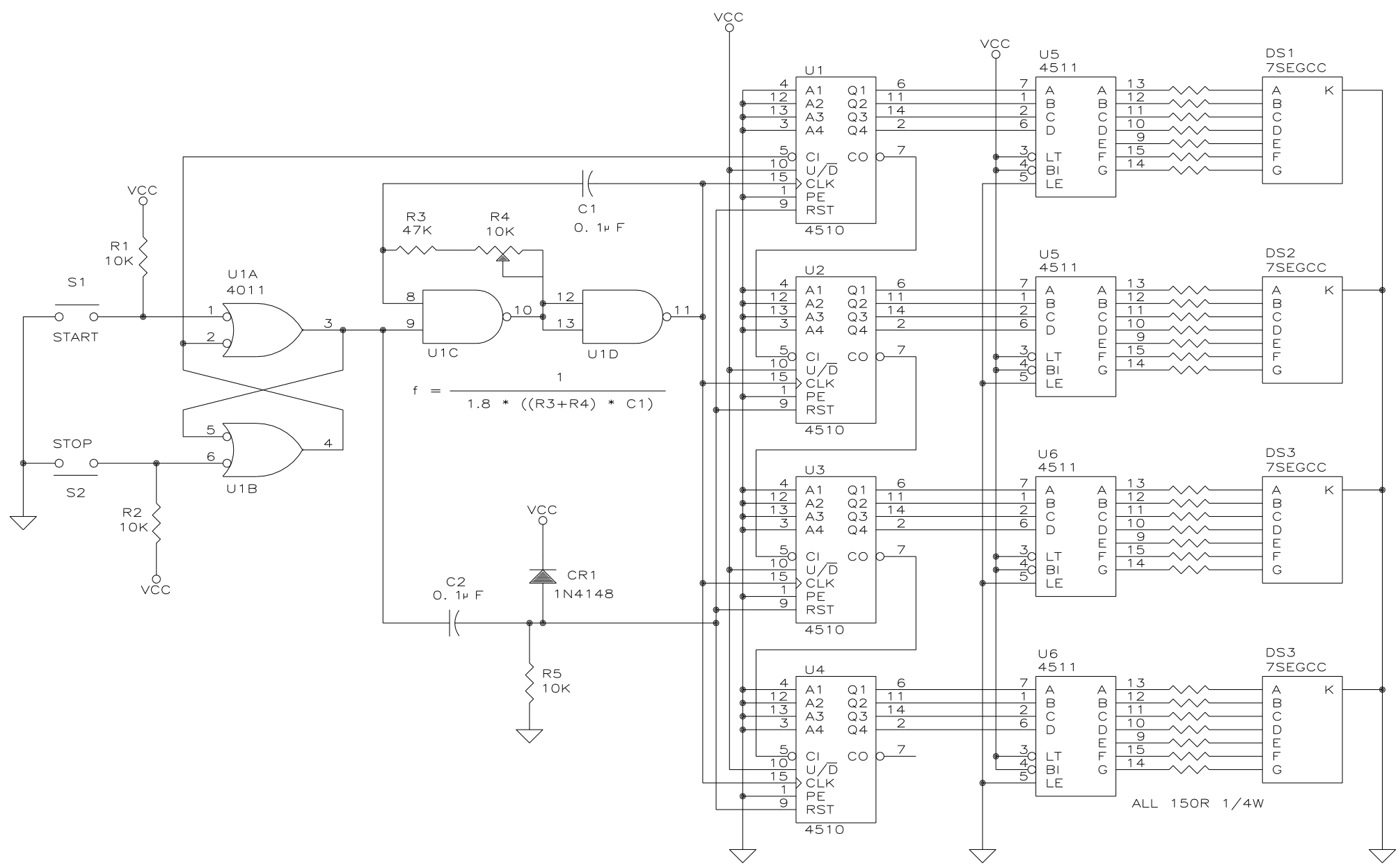


REVISION HISTORY			
REV	DESCRIPTION	DATE	APPROVED



ITEM	QTY REQD	CAGE CODE	PART OR IDENTIFYING NO.	NOMENCLATURE OR DESCRIPTION	MATERIAL SPECIFICATION
PARTS LIST					
UNLESS OTHERWISE SPECIFIED DIMENSIONS ARE IN INCHES TOLERANCES ARE:				CONTRACT NO.	
FRACTIONS ± 1/32				APPROVALS	
DECIMALS .XX ± 0.005 .XXX ± 0.001				DATE	
ANGLES ± 1°				DRAWN	
MATERIAL				CHECKED	
FINISH				ISSUED J FIELDS 01APR06	
NEXT ASSY		USED ON		SIZE B	CAGE CODE ØNM76
APPLICATION				DWG. NO. SED20060401	
DO NOT SCALE DRAWING				REV.	
SCALE NTS				SHEET 1 OF 1	

 Austin Instruments, Inc.  
Austin, Republic of Texas

4 DIGIT BCD COUNTER AND DISPLAY

SIZE B CAGE CODE ØNM76 DWG. NO. SED20060401 REV.

SCALE NTS SHEET 1 OF 1