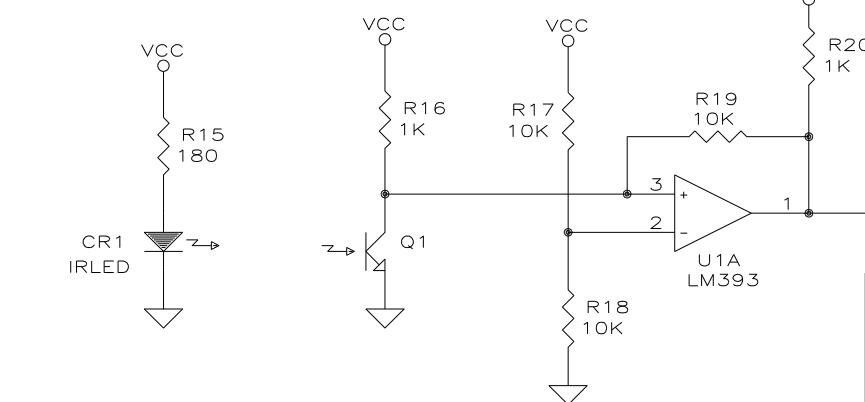
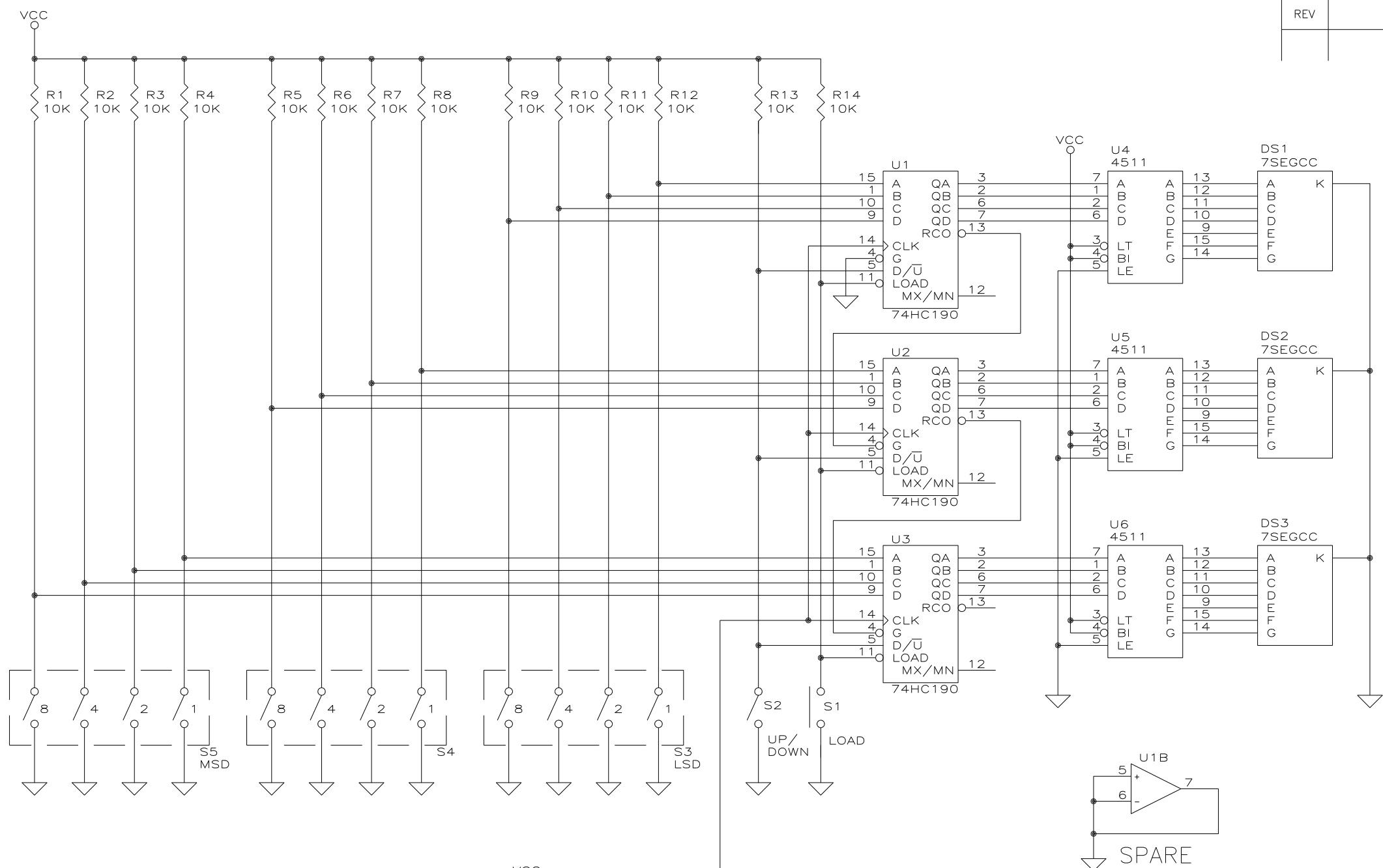
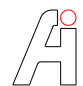


REVISION HISTORY			
REV	DESCRIPTION	DATE	APPROVED



ITEM	QTY REQD	CAGE CODE	PART OR IDENTIFYING NO.	NOMENCLATURE OR DESCRIPTION	MATERIAL SPECIFICATION
PARTS LIST					
UNLESS OTHERWISE SPECIFIED DIMENSIONS ARE IN INCHES TOLERANCES ARE:				CONTRACT NO.	
FRACTIONS ± 1/32				APPROVALS	
DECIMALS .XX ± 0.005				DATE	
ANGLES ± 1°				DRAWN	
MATERIAL				CHECKED	
FINISH				ISSUED J FIELDS 09MAR06	
NEXT ASSY		USED ON		SIZE B	CAGE CODE ØNM76
APPLICATION				DWG. NO. SED20060309	
DO NOT SCALE DRAWING				REV.	
SCALE NTS				SHEET 1 OF 1	


**Austin Instruments, Inc.**  
 Austin, Republic of Texas  
**3 DIGIT BCD COUNTER AND DISPLAY**