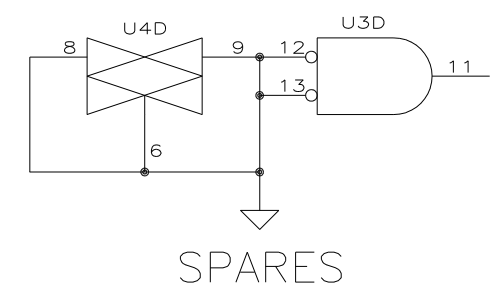
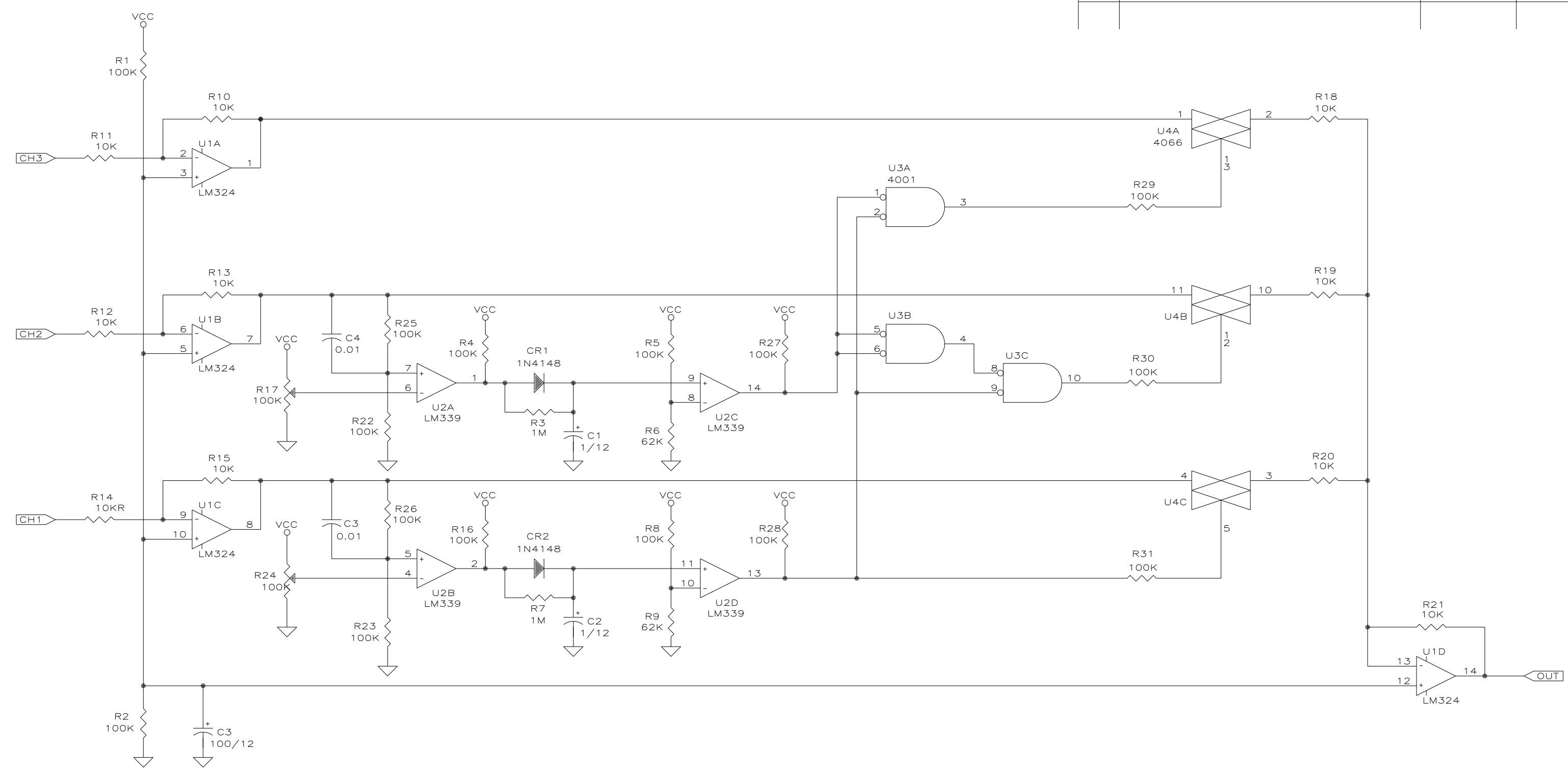


REVISION HISTORY			
REV	DESCRIPTION	DATE	APPROVED



ITEM	QTY REQD	CAGE CODE	PART OR IDENTIFYING NO.	NOMENCLATURE OR DESCRIPTION	MATERIAL SPECIFICATION
PARTS LIST					
UNLESS OTHERWISE SPECIFIED DIMENSIONS ARE IN INCHES TOLERANCES ARE: FRACTIONS DECIMALS ANGLES ± 1/32 .XX ± 0.005 ± 1° .XXX ± 0.001				CONTRACT NO.	
MATERIAL		APPROVALS		DATE	
FINISH		DRAWN		CHECKED	
NEXT ASSY		USED ON		ISSUED J FIELDS 19NOV04	
APPLICATION		DO NOT SCALE DRAWING		SCALE NTS	

Austin Instruments, Inc.
Austin, Republic of Texas

3 CHANNEL PRIORITIZING AUDIO SWITCH

SIZE	CAGE CODE	DWG. NO.	REV.
B	ØNM76	SED111904	B

SHEET 1 OF 1