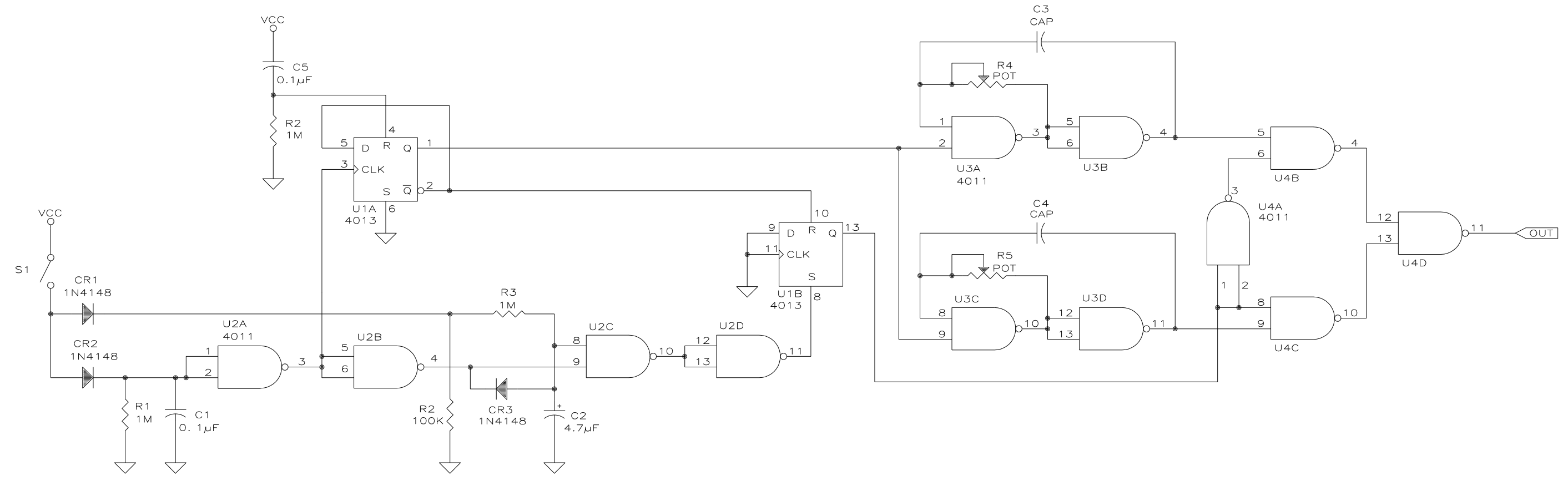


REVISION HISTORY			
REV	DESCRIPTION	DATE	APPROVED
A	REDESIGNED ONE-SHOT	08SEP05	



ITEM	QTY REQD	CAGE CODE	PART OR IDENTIFYING NO.	NOMENCLATURE OR DESCRIPTION	MATERIAL SPECIFICATION
PARTS LIST					
UNLESS OTHERWISE SPECIFIED DIMENSIONS ARE IN INCHES TOLERANCES ARE: FRACTIONS    DECIMALS    ANGLES ± 1/32        .XX ± 0.005    ± 1° .XXX ± 0.001				CONTRACT NO.	
MATERIAL				APPROVALS	DATE
FINISH				CHECKED	
NEXT ASSY      USED ON				ISSUED J FIELDS	07SEP05
APPLICATION				DO NOT SCALE DRAWING	
		Austin Instruments, Inc. Austin, Republic of Texas		TURNTABLE CLOCK SELECTOR	
SIZE	CAGE CODE	DWG. NO.	REV.		
B	ØNM76	SED20050907	A		
SCALE	NTS	33-45RPMα.DWG	SHEET	1 OF 1	