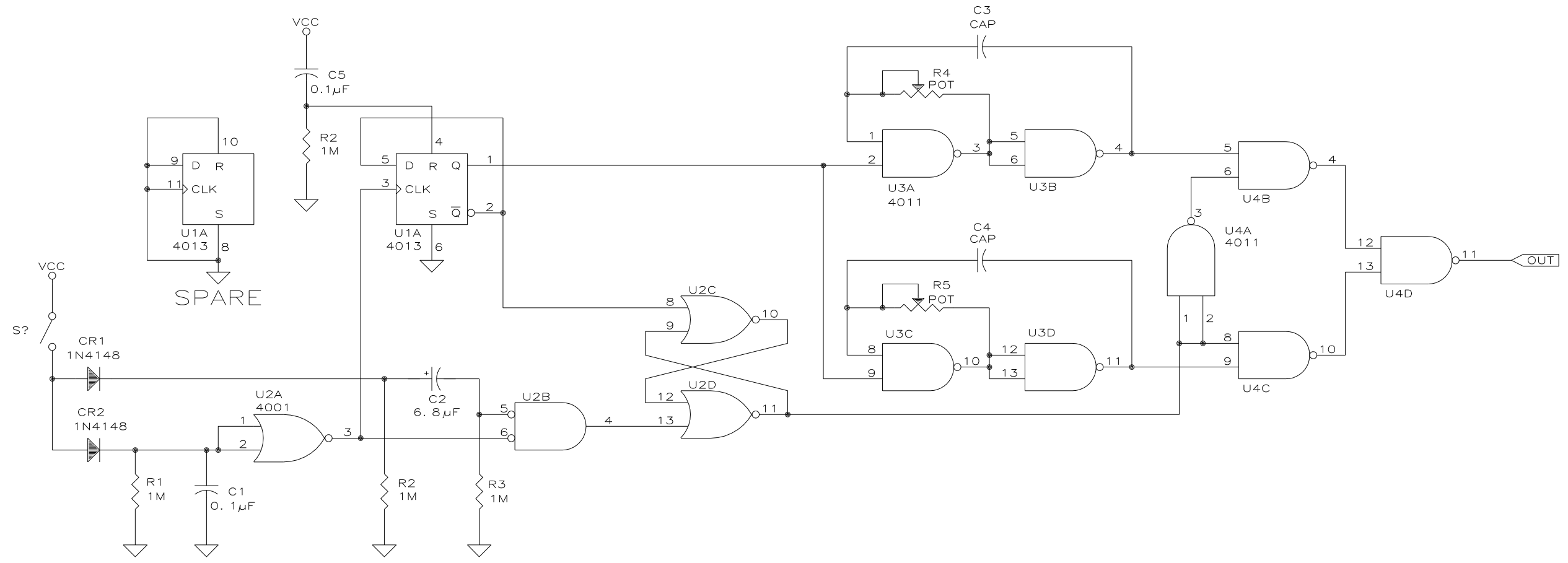


REVISION HISTORY			
REV	DESCRIPTION	DATE	APPROVED



ITEM	QTY REQD	CAGE CODE	PART OR IDENTIFYING NO.	NOMENCLATURE OR DESCRIPTION	MATERIAL SPECIFICATION
PARTS LIST					
UNLESS OTHERWISE SPECIFIED DIMENSIONS ARE IN INCHES TOLERANCES ARE: FRACTIONS DECIMALS ANGLES ± 1/32 .XX ± 0.005 ± 1° .XXX ± 0.001				CONTRACT NO.	
MATERIAL				APPROVALS	DATE
FINISH				CHECKED	
NEXT ASSY				ISSUED	J FIELDS 07SEP05
APPLICATION				DO NOT SCALE DRAWING	
Austin Instruments, Inc. Austin, Republic of Texas		TURNTABLE CLOCK SELECTOR			
SIZE	CAGE CODE	DWG. NO.	REV.		
B	ØNM76	SED20050907			
SCALE	NTS	33-45RPM.DWG	SHEET	1 OF 1	